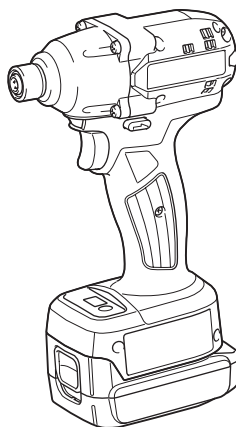


**INSTRUCTION MANUAL
MANUEL D'INSTRUCTION
MANUAL DE INSTRUCCIONES**



Cordless Impact Driver Tournevis à Chocs sans Fil Atornillador de Impacto Inalámbrico

**DTDA040
DTDA070
DTDA100
DTDA140**



IMPORTANT: Read Before Using.

IMPORTANT : Lire avant usage.

IMPORTANTE: Lea antes de usar.

SPECIFICATIONS

Model:		DTDA040	DTDA070	DTDA100	DTDA140
Fastening capacities	Standard bolt	M5 - M10 (3/16" - 3/8")	M5 - M12 (3/16" - 1/2")		M6 - M16 (1/4" - 5/8")
	High tensile bolt	M5 - M8 (3/16" - 5/16")	M5 - M10 (3/16" - 3/8")		M6- M12 (1/4" - 1/2")
Maximum fastening torque		35 N•m (26 ft•lbs)	65 N•m (48 ft•lbs)	95 N•m (70 ft•lbs)	140 N•m (103 ft•lbs)
Torque range		Approx. 3 - 20 N•m (Approx. 2 - 15 ft•lbs)	Approx. 5 - 40 N•m (Approx. 4 - 30 ft•lbs)	Approx. 6 - 65 N•m (Approx. 4 - 48 ft•lbs)	Approx. 18 - 80 N•m (Approx. 14 - 59 ft•lbs)
No load speed (RPM)		0 - 2,400 /min	0 - 2,500 /min	0 - 2,700 /min	
Impacts per minute		0 - 3,700 /min		0 - 3,300 /min	
Rated voltage		D.C. 14.4 V			
Overall length		139 mm (5-1/2")		146 mm (5-3/4")	
Net weight		1.1 - 1.4 kg (2.5 - 3.0 lbs)		1.2 - 1.4 kg (2.7 - 3.2 lbs)	1.2 - 1.5 kg (2.7 - 3.2 lbs)
Applicable USB cable		661432-2			

- Due to our continuing program of research and development, the specifications herein are subject to change without notice.
- Specifications may differ from country to country.
- The weight may differ depending on the attachment(s), including the battery cartridge. The lightest and heaviest combination, according to EPTA-Procedure 01/2014, are shown in the table.

Applicable battery cartridge and charger

Battery cartridge	BL1415NA / BL1430B / BL1460A
Charger	DC18RC / DC18RD / DC18RE / DC18SD / DC18SE / DC18SF / DC18SH

- Some of the battery cartridges and chargers listed above may not be available depending on your region of residence.

⚠WARNING: Only use the battery cartridges and chargers listed above. Use of any other battery cartridges and chargers may cause injury and/or fire.

NOTE: This equipment has been tested and found to comply with the limits for a Class A digital device, pursuant to part 15 of the FCC Rules. These limits are designed to provide reasonable protection against harmful interference when the equipment is operated in a commercial environment. This equipment generates, uses, and can radiate radio frequency energy and, if not installed and used in accordance with the instruction manual, may cause harmful interference to radio communications. Operation of this equipment in a residential area is likely to cause harmful interference in which case the user will be required to correct the interference at his own expense.

SAFETY WARNINGS

General power tool safety warnings

⚠WARNING: Read all safety warnings, instructions, illustrations and specifications provided with this power tool. Failure to follow all instructions listed below may result in electric shock, fire and/or serious injury.

Save all warnings and instructions for future reference.

The term "power tool" in the warnings refers to your mains-operated (corded) power tool or battery-operated (cordless) power tool.

Work area safety

1. **Keep work area clean and well lit.** Cluttered or dark areas invite accidents.
2. **Do not operate power tools in explosive atmospheres, such as in the presence of flammable liquids, gases or dust.** Power tools create sparks which may ignite the dust or fumes.

3. **Keep children and bystanders away while operating a power tool.** Distractions can cause you to lose control.

Electrical Safety

1. **Power tool plugs must match the outlet. Never modify the plug in any way. Do not use any adapter plugs with earthed (grounded) power tools.** Unmodified plugs and matching outlets will reduce risk of electric shock.
 2. **Avoid body contact with earthed or grounded surfaces, such as pipes, radiators, ranges and refrigerators.** There is an increased risk of electric shock if your body is earthed or grounded.
 3. **Do not expose power tools to rain or wet conditions.** Water entering a power tool will increase the risk of electric shock.
 4. **Do not abuse the cord. Never use the cord for carrying, pulling or unplugging the power tool. Keep cord away from heat, oil, sharp edges or moving parts.** Damaged or entangled cords increase the risk of electric shock.
 5. **When operating a power tool outdoors, use an extension cord suitable for outdoor use.** Use of a cord suitable for outdoor use reduces the risk of electric shock.
 6. **If operating a power tool in a damp location is unavoidable, use a ground fault circuit interrupter (GFCI) protected supply.** Use of a GFCI reduces the risk of electric shock.
 7. **Power tools can produce electromagnetic fields (EMF) that are not harmful to the user.** However, users of pacemakers and other similar medical devices should contact the maker of their device and/or doctor for advice before operating this power tool.
7. **If devices are provided for the connection of dust extraction and collection facilities, ensure these are connected and properly used.** Use of dust collection can reduce dust-related hazards.
 8. **Do not let familiarity gained from frequent use of tools allow you to become complacent and ignore tool safety principles.** A careless action can cause severe injury within a fraction of a second.
 9. **Always wear protective goggles to protect your eyes from injury when using power tools. The goggles must comply with ANSI Z87.1 in the USA.**
It is an employer's responsibility to enforce the use of appropriate safety protective equipment by the tool operators and by other persons in the immediate working area.

Power tool use and care

1. **Do not force the power tool. Use the correct power tool for your application.** The correct power tool will do the job better and safer at the rate for which it was designed.
 2. **Do not use the power tool if the switch does not turn it on and off.** Any power tool that cannot be controlled with the switch is dangerous and must be repaired.
 3. **Disconnect the plug from the power source and/or remove the battery pack, if detachable, from the power tool before making any adjustments, changing accessories, or storing power tools.** Such preventive safety measures reduce the risk of starting the power tool accidentally.
 4. **Store idle power tools out of the reach of children and do not allow persons unfamiliar with the power tool or these instructions to operate the power tool.** Power tools are dangerous in the hands of untrained users.
 5. **Maintain power tools and accessories. Check for misalignment or binding of moving parts, breakage of parts and any other condition that may affect the power tool's operation. If damaged, have the power tool repaired before use.** Many accidents are caused by poorly maintained power tools.
 6. **Keep cutting tools sharp and clean.** Properly maintained cutting tools with sharp cutting edges are less likely to bind and are easier to control.
 7. **Use the power tool, accessories and tool bits etc. in accordance with these instructions, taking into account the working conditions and the work to be performed.** Use of the power tool for operations different from those intended could result in a hazardous situation.
 8. **Keep handles and grasping surfaces dry, clean and free from oil and grease.** Slippery handles and grasping surfaces do not allow for safe handling and control of the tool in unexpected situations.
 9. **When using the tool, do not wear cloth work gloves which may be entangled.** The entanglement of cloth work gloves in the moving parts may result in personal injury.
1. **Stay alert, watch what you are doing and use common sense when operating a power tool. Do not use a power tool while you are tired or under the influence of drugs, alcohol or medication.** A moment of inattention while operating power tools may result in serious personal injury.
 2. **Use personal protective equipment. Always wear eye protection.** Protective equipment such as dust mask, non-skid safety shoes, hard hat, or hearing protection used for appropriate conditions will reduce personal injuries.
 3. **Prevent unintentional starting. Ensure the switch is in the off-position before connecting to power source and/or battery pack, picking up or carrying the tool.** Carrying power tools with your finger on the switch or energising power tools that have the switch on invites accidents.
 4. **Remove any adjusting key or wrench before turning the power tool on.** A wrench or a key left attached to a rotating part of the power tool may result in personal injury.
 5. **Do not overreach. Keep proper footing and balance at all times.** This enables better control of the power tool in unexpected situations.
 6. **Dress properly. Do not wear loose clothing or jewellery. Keep your hair, clothing and gloves away from moving parts.** Loose clothes, jewellery or long hair can be caught in moving parts.

Battery tool use and care

1. **Recharge only with the charger specified by the manufacturer.** A charger that is suitable for one type of battery pack may create a risk of fire when used with another battery pack.
2. **Use power tools only with specifically designed battery packs.** Use of any other battery packs may create a risk of injury and fire.
3. **When battery pack is not in use, keep it away from other metal objects, like paper clips, coins, keys, nails, screws or other small metal objects, that can make a connection from one terminal to another.** Shorting the battery terminals together may cause burns or a fire.
4. **Under abusive conditions, liquid may be ejected from the battery; avoid contact. If contact accidentally occurs, flush with water. If liquid contacts eyes, additionally seek medical help.** Liquid ejected from the battery may cause irritation or burns.
5. **Do not use a battery pack or tool that is damaged or modified.** Damaged or modified batteries may exhibit unpredictable behaviour resulting in fire, explosion or risk of injury.
6. **Do not expose a battery pack or tool to fire or excessive temperature.** Exposure to fire or temperature above 130 °C may cause explosion.
7. **Follow all charging instructions and do not charge the battery pack or tool outside the temperature range specified in the instructions.** Charging improperly or at temperatures outside the specified range may damage the battery and increase the risk of fire.

Service

1. **Have your power tool serviced by a qualified repair person using only identical replacement parts.** This will ensure that the safety of the power tool is maintained.
2. **Never service damaged battery packs.** Service of battery packs should only be performed by the manufacturer or authorized service providers.
3. **Follow instruction for lubricating and changing accessories.**
4. **Do not modify or attempt to repair the appliance or the battery pack except as indicated in the instructions for use and care.**

Cordless impact driver safety warnings

1. **Hold the power tool by insulated gripping surfaces, when performing an operation where the fastener may contact hidden wiring.** Fasteners contacting a "live" wire may make exposed metal parts of the power tool "live" and could give the operator an electric shock.
2. **Always be sure you have a firm footing. Be sure no one is below when using the tool in high locations.**
3. **Hold the tool firmly.**
4. **Wear ear protectors.**
5. **Do not touch the bit or the workpiece immediately after operation. They may be extremely hot and could burn your skin.**
6. **Keep hands away from rotating parts.**

7. **Use auxiliary handle(s), if supplied with the tool.** Loss of control can cause personal injury.
8. **Hold the power tool by insulated gripping surfaces, when performing an operation where the cutting accessory may contact hidden wiring.** Cutting accessory contacting a "live" wire may make exposed metal parts of the power tool "live" and could give the operator an electric shock.
9. **Make sure there are no electrical cables, water pipes, gas pipes etc. that could cause a hazard if damaged by use of the tool.**


SAVE THESE INSTRUCTIONS.

⚠WARNING: DO NOT let comfort or familiarity with product (gained from repeated use) replace strict adherence to safety rules for the subject product.

MISUSE or failure to follow the safety rules stated in this instruction manual may cause serious personal injury.

Symbols

The followings show the symbols used for tool.

V	volts
— ---	direct current
n _o	no load speed
... /min r /min	revolutions or reciprocation per minute
	number of blow

Important safety instructions for battery cartridge

1. **Before using battery cartridge, read all instructions and cautionary markings on (1) battery charger, (2) battery, and (3) product using battery.**
2. **Do not disassemble or tamper with the battery cartridge.** It may result in a fire, excessive heat, or explosion.
3. **If operating time has become excessively shorter, stop operating immediately.** It may result in a risk of overheating, possible burns and even an explosion.
4. **If electrolyte gets into your eyes, rinse them out with clear water and seek medical attention right away.** It may result in loss of your eyesight.
5. **Do not short the battery cartridge:**
 - (1) **Do not touch the terminals with any conductive material.**
 - (2) **Avoid storing battery cartridge in a container with other metal objects such as nails, coins, etc.**
 - (3) **Do not expose battery cartridge to water or rain.**

A battery short can cause a large current flow, overheating, possible burns and even a breakdown.

6. Do not store and use the tool and battery cartridge in locations where the temperature may reach or exceed 50 °C (122 °F).
7. Do not incinerate the battery cartridge even if it is severely damaged or is completely worn out. The battery cartridge can explode in a fire.
8. Do not nail, cut, crush, throw, drop the battery cartridge, or hit against a hard object to the battery cartridge. Such conduct may result in a fire, excessive heat, or explosion.
9. Do not use a damaged battery.
10. The contained lithium-ion batteries are subject to the Dangerous Goods Legislation requirements.

For commercial transports e.g. by third parties, forwarding agents, special requirement on packaging and labeling must be observed.

For preparation of the item being shipped, consulting an expert for hazardous material is required. Please also observe possibly more detailed national regulations.

Tape or mask off open contacts and pack up the battery in such a manner that it cannot move around in the packaging.

11. When disposing of the battery cartridge, remove it from the tool and dispose of it in a safe place. Follow your local regulations relating to disposal of battery.
12. Use the batteries only with the products specified by Makita. Installing the batteries to non-compliant products may result in a fire, excessive heat, explosion, or leak of electrolyte.
13. If the tool is not used for a long period of time, the battery must be removed from the tool.
14. During and after use, the battery cartridge may take on heat which can cause burns or low temperature burns. Pay attention to the handling of hot battery cartridges.
15. Do not touch the terminal of the tool immediately after use as it may get hot enough to cause burns.
16. Do not allow chips, dust, or soil stuck into the terminals, holes, and grooves of the battery cartridge. It may result in poor performance or breakdown of the tool or battery cartridge.
17. Unless the tool supports the use near high-voltage electrical power lines, do not use the battery cartridge near high-voltage electrical power lines. It may result in a malfunction or breakdown of the tool or battery cartridge.
18. Keep the battery away from children.

SAVE THESE INSTRUCTIONS.

CAUTION: Only use genuine Makita batteries. Use of non-genuine Makita batteries, or batteries that have been altered, may result in the battery bursting causing fires, personal injury and damage. It will also void the Makita warranty for the Makita tool and charger.

Tips for maintaining maximum battery life

1. Charge the battery cartridge before completely discharged. Always stop tool operation and charge the battery cartridge when you notice less tool power.
2. Never recharge a fully charged battery cartridge. Overcharging shortens the battery service life.
3. Charge the battery cartridge with room temperature at 10 °C - 40 °C (50 °F - 104 °F). Let a hot battery cartridge cool down before charging it.
4. When not using the battery cartridge, remove it from the tool or the charger.
5. Charge the battery cartridge if you do not use it for a long period (more than six months).

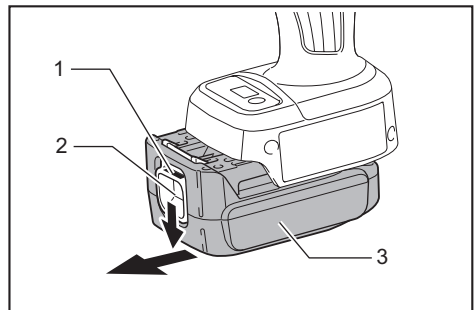
FUNCTIONAL DESCRIPTION

CAUTION: Always be sure that the tool is switched off and the battery cartridge is removed before adjusting or checking function on the tool.

Installing or removing battery cartridge

CAUTION: Always switch off the tool before installing or removing of the battery cartridge.

CAUTION: Hold the tool and the battery cartridge firmly when installing or removing battery cartridge. Failure to hold the tool and the battery cartridge firmly may cause them to slip off your hands and result in damage to the tool and battery cartridge and a personal injury.



► 1. Red indicator 2. Button 3. Battery cartridge

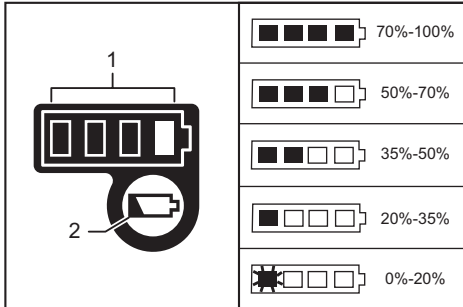
To remove the battery cartridge, slide it from the tool while sliding the button on the front of the cartridge.

To install the battery cartridge, align the tongue on the battery cartridge with the groove in the housing and slip it into place. Insert it all the way until it locks in place with a little click. If you can see the red indicator as shown in the figure, it is not locked completely.

CAUTION: Always install the battery cartridge fully until the red indicator cannot be seen. If not, it may accidentally fall out of the tool, causing injury to you or someone around you.

CAUTION: Do not install the battery cartridge forcibly. If the cartridge does not slide in easily, it is not being inserted correctly.

Checking the remaining battery capacity (BL1460A)



► 1. Indicator lamps 2. Check button

NOTE: Depending on the conditions of use and the ambient temperature, the indication may differ slightly from the actual capacity.

When charging

When the charging begins, the first (far left) indicating lamp begins to blink. Then, as charging proceeds, the other lamps light, one after the other, to indicate the battery capacity.

NOTE: If the indicator lamp does not turn on or blink when charging, the battery may be faulty. In this case, ask your local service center.

When using

When the tool is switched on, the lamps will light to indicate the remaining battery capacity. When the tool is switched off, the light goes out after approx. 5 seconds. When pushing the check button with the tool switched off, the indicator lamps turn on for approx. 5 seconds to show battery capacity.

If the orange lamp blinks, the tool stops because of little remaining battery capacity (Auto-stop mechanism).

Charge the battery cartridge or use a charged battery cartridge at this time.

When the tool is used with the battery that has not been used for a long time and is switched on, no lamps may light up. The tool stops because of little remaining battery capacity at this time. Charge the battery properly.

Tool / battery protection system

The tool is equipped with a tool/battery protection system. This system automatically cuts off power to the motor to extend tool and battery life. The tool will automatically stop during operation if the tool or battery is placed under one of the following conditions:

Overload protection

When the tool/battery is operated in a manner that causes it to draw an abnormally high current, the tool stops automatically. In this situation, turn the tool off and stop the application that caused the tool to become overloaded. Then turn the tool on to restart.

Overheat protection

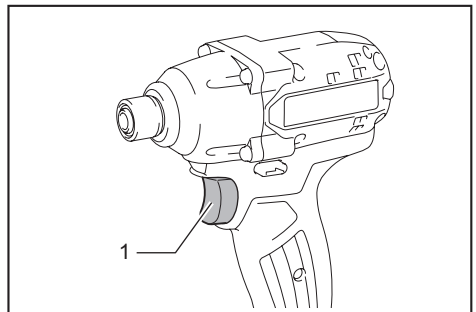
When the tool/battery is overheated, the tool stops automatically. In this situation, let the tool/battery cool before turning the tool on again.

Overdischarge protection

When the battery capacity is not enough, the tool stops automatically. In this case, remove the battery from the tool and charge the battery.

Switch action

CAUTION: Before inserting the battery cartridge into the tool, always check to see that the switch trigger actuates properly and returns to the "OFF" position when released.



► 1. Switch trigger

To start the tool, simply pull the switch trigger. Tool speed is increased by increasing pressure on the switch trigger. Release the switch trigger to stop.

NOTE: The tool automatically stops if you keep pulling the switch trigger for about 3 minutes.

Electric brake

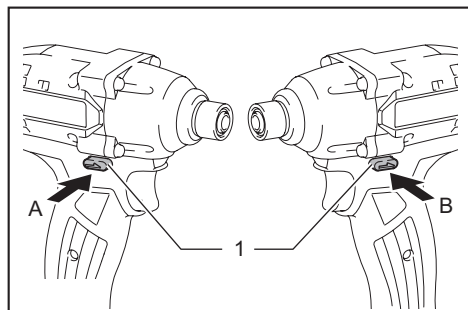
This tool is equipped with an electric brake. If the tool consistently fails to quickly stop after the switch trigger is released, have the tool serviced at a Makita service center.

Reversing switch action

CAUTION: Always check the direction of rotation before operation.

CAUTION: Use the reversing switch only after the tool comes to a complete stop. Changing the direction of rotation before the tool stops may damage the tool.

CAUTION: When not operating the tool, always set the reversing switch lever to the neutral position.

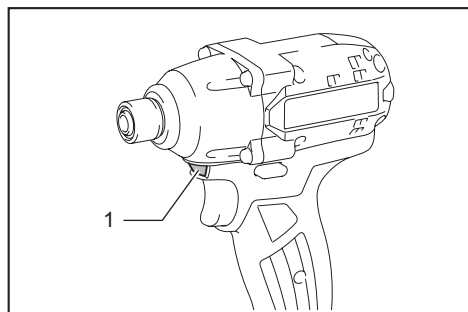


► 1. Reversing switch lever

This tool has a reversing switch to change the direction of rotation. Depress the reversing switch lever from the A side for clockwise rotation or from the B side for counterclockwise rotation.

When the reversing switch lever is in the neutral position, the switch trigger cannot be pulled.

Lighting up the front lamp



► 1. Lamp

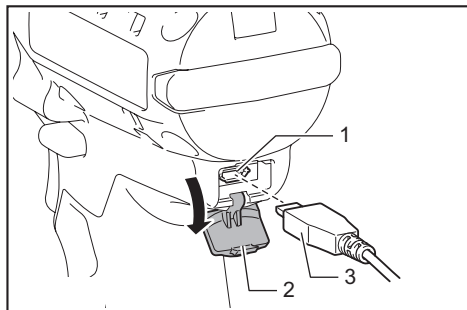
CAUTION: Do not look in the light or see the source of light directly.

Pull the switch trigger to light up the lamp. The lamp keeps on lighting while the switch trigger is being pulled. The lamp goes out approximately 10 seconds after releasing the switch trigger.

NOTE: Use a dry cloth to wipe the dirt off the lens of the lamp. Be careful not to scratch the lens of lamp, or it may lower the illumination.

Changing the parameter setting on the computer

You can configure detailed setting of the tool with the application software "Makita Industry Tool Settings". Install the application software on the computer and connect the tool to the computer with a USB cable. Refer to the instruction manual of "Makita Industry Tool Settings" for details on configuration.



► 1. USB port 2. USB cover 3. USB cable

NOTICE: Make sure that the USB cover closed when fastening.

NOTE: When the reversing switch lever is depressed in the clockwise rotation, the indicator shows the setting of clockwise rotation.

When the reversing switch lever is depressed in the counterclockwise rotation, the indicator shows the setting of counterclockwise rotation.

NOTE: Use preset number as a guideline. To keep the fastening torque, number of impacts changes automatically according to remaining battery capacity.

NOTE: Use the makita genuine USB cable to connect your computer to the tool. Refer to the section "SPECIFICATIONS".

NOTE: For the application software, please contact Makita sales representative.

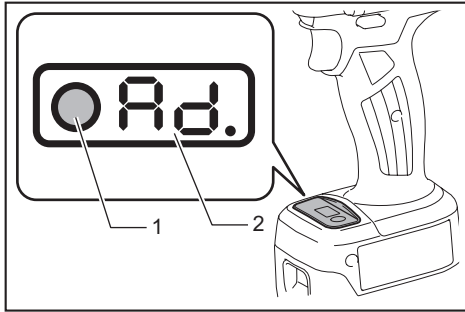
Changing the parameter setting on the tool (Field Setting mode)

NOTICE: This function is available by default. If you have disabled the Field Setting mode on the computer, enable this function beforehand. Refer to the instruction manual of "Makita Industry Tool Settings" for how to configure.

NOTICE: If the Field Setting mode is disabled, making settings on the tool is not available. When you press the setting button, the values set on the tool are displayed in order.

The current setting number is displayed on the indicator.

Every time you press the setting button, the indicator shows torque level, rundown level, workable time range, and "Ad".



► 1. Setting button 2. Indicator

You can change the following parameter settings on your tool:

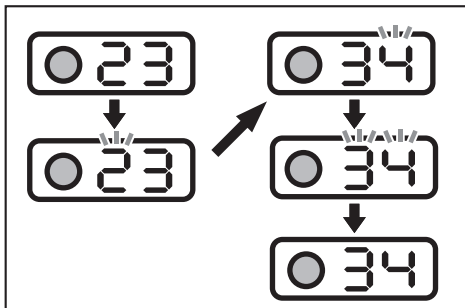
- Auto-stop setting / Free mode

Setting item	Display on the indicator	Description
Torque level	01 - 40 FF OP	The torque level at which the Tightening Auto Stop mode works
Rundown level	L1 - L7 OP	The sensitivity of the fastener seating
Workable time range	Lo: 0.1 - 9.9 Hi: 0.1 - 9.9 --	The shortest/longest duration of the rotation when you continue to pull the switch trigger.

NOTICE: If "OP" (Loosening Auto Stop mode) is displayed on the indicator, torque level setting and rundown level setting is not available. In this case, change the mode to Tightening Auto Stop mode, and then set the torque level and rundown level on the computer using "Makita Industry Tool Settings".

Changing the torque level

When changing the torque level from 23 to 34



1. Press the setting button several times until the indicator shows 2-digit number which stands for the current setting of the torque level.

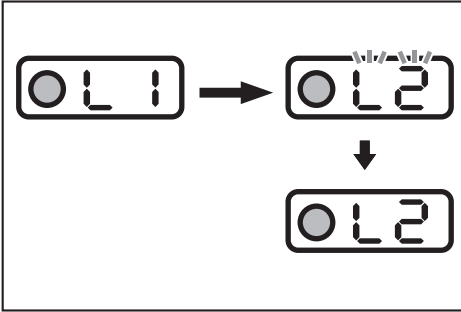
2. Press and hold the setting button until the number in the tens place starts blinking.
3. Set the number in the tens place by pressing the setting button briefly. Every time you press the setting button, the indicator shows the number from "0" to "4" and "F" in a cycle.
4. Press and hold the setting button until the number in the ones place starts blinking.
5. Set the number in the ones place by pressing the setting button briefly. Every time you press the setting button, the indicator shows the number from "0" to "9" and "F" in a cycle.
6. Press and hold the setting button for a few seconds.

NOTE: If you are not sure which torque level is suitable for your work, set "FF" so that the tool operates in the Free mode.

NOTE: If you input "00", "FF" is displayed instead of "00".

Changing the rundown level

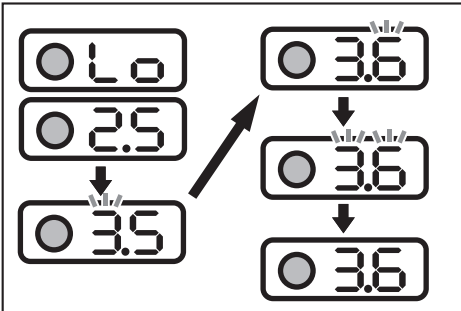
When changing the rundown level from L1 to L2



1. Press the setting button several times until the indicator shows 2 characters beginning with "L" followed by a number. This stands for the current setting of the rundown level.
2. Press and hold the setting button until the indicator starts blinking.
3. Set the rundown level. Every time you press the setting button, the indicator shows from "L1" to "L7" in a cycle. The lowest rundown level is "L1" and "L7" is the highest.
4. Press and hold the setting button for a few seconds.

Changing the shortest workable time range

When changing the shortest workable time range from 2.5 to 3.6



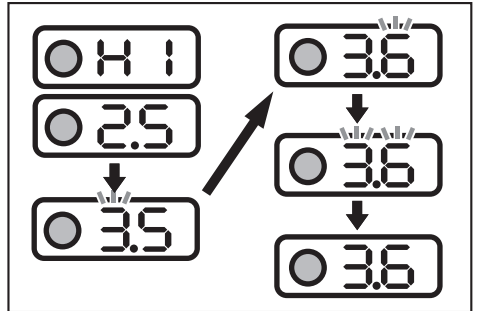
1. Press the setting button several times until the indicator shows "Lo" and number alternatively. This stands for the current setting of the shortest workable time range.
2. Press and hold the setting button until the number in the ones place starts blinking.
3. Set the number in the ones place by pressing the setting button briefly. Every time you press the setting button, the indicator shows the number from "0" to "9" in a cycle.
4. Press and hold the setting button until the number in the decimal place starts blinking.

5. Set the number in the decimal place by pressing the setting button briefly. Every time you press the setting button, the indicator shows the number from "0" to "9" in a cycle.
6. Press and hold the setting button for a few seconds.

NOTE: When you set the value smaller than "0.1" for the shortest workable time range, the indicator shows "-.-" and the shortest workable time range becomes disabled. To input "-.-", set the value to "0.9", and then press the setting button when the number in the ones place is blinking.

Changing the longest workable time range

When changing the longest workable time range from 2.5 to 3.6



1. Press the setting button several times until the indicator shows "HI" and number alternatively. This stands for the current setting of the longest workable time range.
2. Press and hold the setting button until the number in the ones place starts blinking.
3. Set the number in the ones place by pressing the setting button briefly. Every time you press the setting button, the indicator shows the number from "0" to "9" in a cycle.
4. Press and hold the setting button until the number in the decimal place starts blinking.
5. Set the number in the decimal place by pressing the setting button briefly. Every time you press the setting button, the indicator shows the number from "0" to "9" in a cycle.
6. Press and hold the setting button for a few seconds.

NOTE: When you set the value larger than "9.9" for the longest workable time range, the indicator shows "-.-" and the longest workable time range becomes disabled. To input "-.-", set the value to "9.9", and then press the setting button when the number in the ones place is blinking.

Measuring an actual operation (Self-diagnosis)

NOTICE: This function is available by default. If you have disabled the Field Setting mode on the computer, enable this function beforehand. Refer to the instruction manual of "Makita Industry Tool Settings" for how to configure.

You can measure the torque level and operating time of an actual operation by operating the tool. Measured torque level and time can be used for such as;

- Reproducing a torque control technic of a well-skilled worker and;
- A time reference for the setting of the shortest/longest workable time range.

Measuring the torque level and operating time

1. Press the setting button several times until "Ad." is displayed on the indicator.
2. Press and hold the setting button until the indicator shows "Ch".
3. Perform the operation that you want to measure the operating time.
 - If you have configured the torque level, operate the tool until it stops in the Tightening Auto Stop mode.
 - If you have not configured the torque level (Free mode), operate the tool as necessary.
4. Check the measured result. Press the setting button once to display the actual torque level, and press it one more time to display the actual operating time.
Every time you press the setting button, the indicator shows "Ch", the number of actual torque level, and the number of actual operating time in a cycle.
5. Press and hold the setting button to exit the Self-diagnosis.

NOTE: The Tightening Auto Stop mode works even in the Self-diagnosis. If you want to measure the torque level without limitation, set the torque level "FF" (Free mode) and perform the procedures above.

NOTE: If "-." is displayed on the indicator, the impact did not work or the torque level is higher than 40. If "-." is displayed in the indicator, the operating time exceeded 9.9 seconds.

- In case the impact did not work: Remeasure the torque level with longer workable time.
- In case the torque level is higher than 40: The tool cannot measure the torque level. Use the tool with higher torque range if available.
- In case the operating time exceeded 9.9 seconds, the workable time range is not available.

Measuring example:

If you configure the following setting, you can read the tool status.

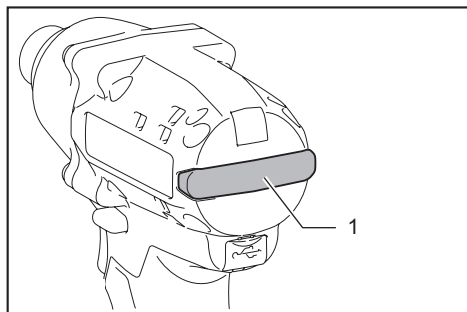
Case 1

Setting item	Tool setting	Measured result	Diagnosis
Torque level	23	20	The tool has stopped by the setting of the longest workable time range (3.5 sec.) before it reaches the setting of the Tightening Auto Stop mode (torque level 23).
Workable time range	shortest: 2.5 sec. longest: 3.5 sec.	3.5	

Case 2

Setting item	Tool setting	Measured result	Diagnosis
Torque level	23	23	The tool has stopped by the Tightening Auto Stop mode (torque level 23) before it reaches the setting of longest workable time range (3.5 sec.).
Workable time range	shortest: 2.5 sec. longest: 3.5 sec.	3	

LED indicator / beeper



► 1. LED indicator

LED indicator / beeper on the tool shows the following functions.

Alarm No.	Function	Status of the tool	Status of the LED indicator/beeper		Action to be taken
			LED indicator	Beeper	
E0	Battery installation error	If the battery cartridge is installed with the switch trigger pulled, the tool stops to avoid unintentional start.	Blinks in red and green alternatively.	A series of long beeps	Install the battery cartridge with the switch trigger released.
E1	Auto-stop	The battery power became low and it is time to replace the battery cartridge.	Blinks in red and green alternatively.	A series of long beeps	Replace the battery with fully charged one.
E2	Anti-reset of controller	The battery voltage dropped abnormally for some reason, and the tool stopped.	Blinks in red and green alternatively.	A series of long beeps	Replace the battery with fully charged one.
E3	Auto-stop with low remaining battery capacity	The battery power is almost used up and the tool stopped.	Lights up in red.	A long beep	Replace the battery with fully charged one.
E4	Overload protection	The tool was overloaded and stopped.	Blinks in red and green alternatively.	A series of long beeps	Remove the cause of overload, and then restart the tool. Ask your local Makita Service Center for repair.
E5	Overheat protection	Tool's controller heated up abnormally and the tool stopped.	Blinks in red quickly.	A series of long beeps	Remove the battery cartridge immediately and cool the tool down.
E6	Motor lock	The motor has been locked. At this time, the tool does not work.	Blinks in red and green alternatively.	A series of long beeps	Release the switch trigger and pull it again.
E7	Motor failure	The tool detected a motor failure. At this time, tool does not work.	Blinks in red and green alternatively.	A series of long beeps	Ask your local Makita Service Center for repair.
E8	Switch failure	The tool detected a switch failure.	Blinks in red and green alternatively.	A series of long beeps	Ask your local Makita Service Center for repair.
E9	Alarm for a long period of use	The tool has been turned on for a long time (Approx. 3 minutes).	Blinks in red and green alternatively.	A long beep	Release the switch trigger and pull it again.
-	Auto-stop with fastening completion	The preset fastening torque has been achieved and the tool has stopped.	Lights up in green for approximately one second.	-	-

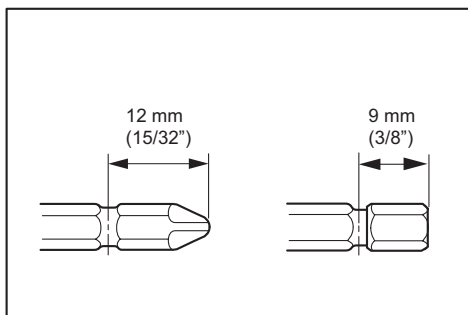
Alarm No.	Function	Status of the tool	Status of the LED indicator/beeper		Action to be taken
			LED indicator	Beeper	
-	Alarm for insufficient fastening	The preset fastening torque has not been achieved because the switch trigger was released before completing the fastening.	Lights up in red for approximately one second.	A long beep	Retighten the fastener.
-	Alarm for limit of the fastening capacity	-	Blinks in red quickly.	A series of long beeps	Replace the battery with fully charged one.
-	Maintenance alarm	The number of drive has been reached to your preset number for the maintenance.	Blinks in yellow.	-	Reset the alarm with the application software.
-	Alarm for no communication with the PC	No data communication while the tool is connected to the PC.	Blinks in yellow.	-	Restart the application software and re-connect the USB cable.
-	Indication that the tool can communicate with the PC	The tool is connected to the PC and able to communicate with.	Blinks in green.	-	-
-	Check for the lamp and beeper (when the battery cartridge is installed)	The tool performs the operation test for the LED indicator (green/red), light, and beeper.	The LED indicator lights up in green and then red. After that, the light turns on for a while.	A series of very short beeps	-

ASSEMBLY

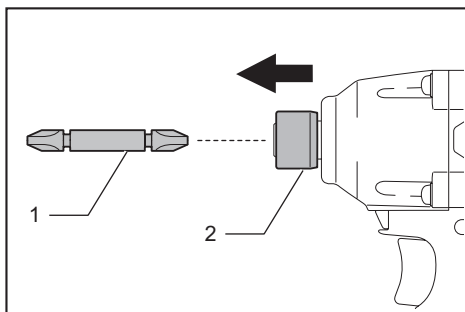
CAUTION: Always be sure that the tool is switched off and the battery cartridge is removed before carrying out any work on the tool.

Installing or removing driver bit/ socket bit

Optional accessory



Use only the driver bit/socket bit shown in the figure. Do not use any other driver bit/socket bit.



► 1. Driver bit 2. Sleeve

To install the driver bit/socket bit, pull the sleeve in the direction of the arrow and insert the driver bit/socket bit into the sleeve as far as it will go. Then release the sleeve to secure the driver bit/socket bit.

To remove the driver bit/socket bit, pull the sleeve in the direction of the arrow and pull the driver bit/socket bit out.

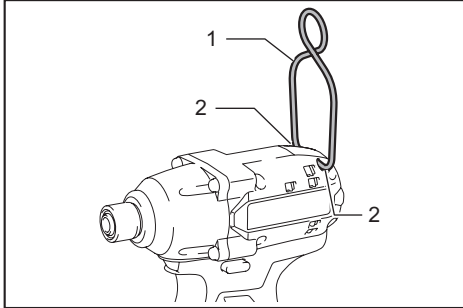
NOTE: If the driver bit/socket bit is not inserted deep enough into the sleeve, the sleeve will not return to its original position and the driver bit/socket bit will not be secured. In this case, try re-inserting the driver bit/socket bit according to the instructions above.

NOTE: After inserting the driver bit/socket bit, make sure that it is firmly secured. If it comes out, do not use it.

Installing hook

Optional accessory

The hook is useful to hang the tool. Install the hook to the holes on the tool body.

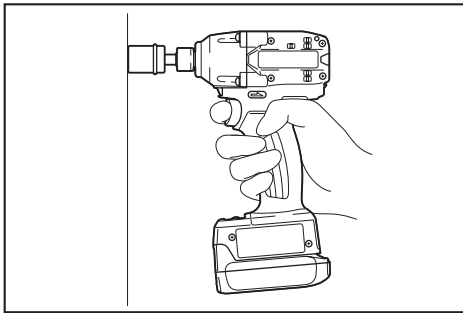


► 1. Hook 2. Hole

OPERATION

⚠ CAUTION: Pressing excessively on the tool will not speed up the drilling. In fact, this excessive pressure will only serve to damage the tip of your drill bit, decrease the tool performance and shorten the service life of the tool.

⚠ CAUTION: Always secure workpieces in a vise or similar hold-down device.



Hold the tool firmly and place the point of the driver bit/socket bit in the screw head. Apply forward pressure to the tool to the extent that the bit will not slip off the screw and turn the tool on to start operation.

NOTICE: If you use a spare battery to continue the operation, rest the tool at least 15 min.

NOTICE: Use the proper bit for the head of the screw/bolt that you wish to use.

NOTICE: Hold the tool pointed straight at the screw.

NOTICE: If you tighten the screw for a long time, the screw or the point of the driver bit may be overstressed, stripped, damaged, etc. Before starting your job, always perform a test operation to determine the proper fastening time for your screw.

NOTICE: If the tool is operated continuously until the battery cartridge has discharged, allow the tool to rest for 15 minutes before proceeding with a fresh battery.

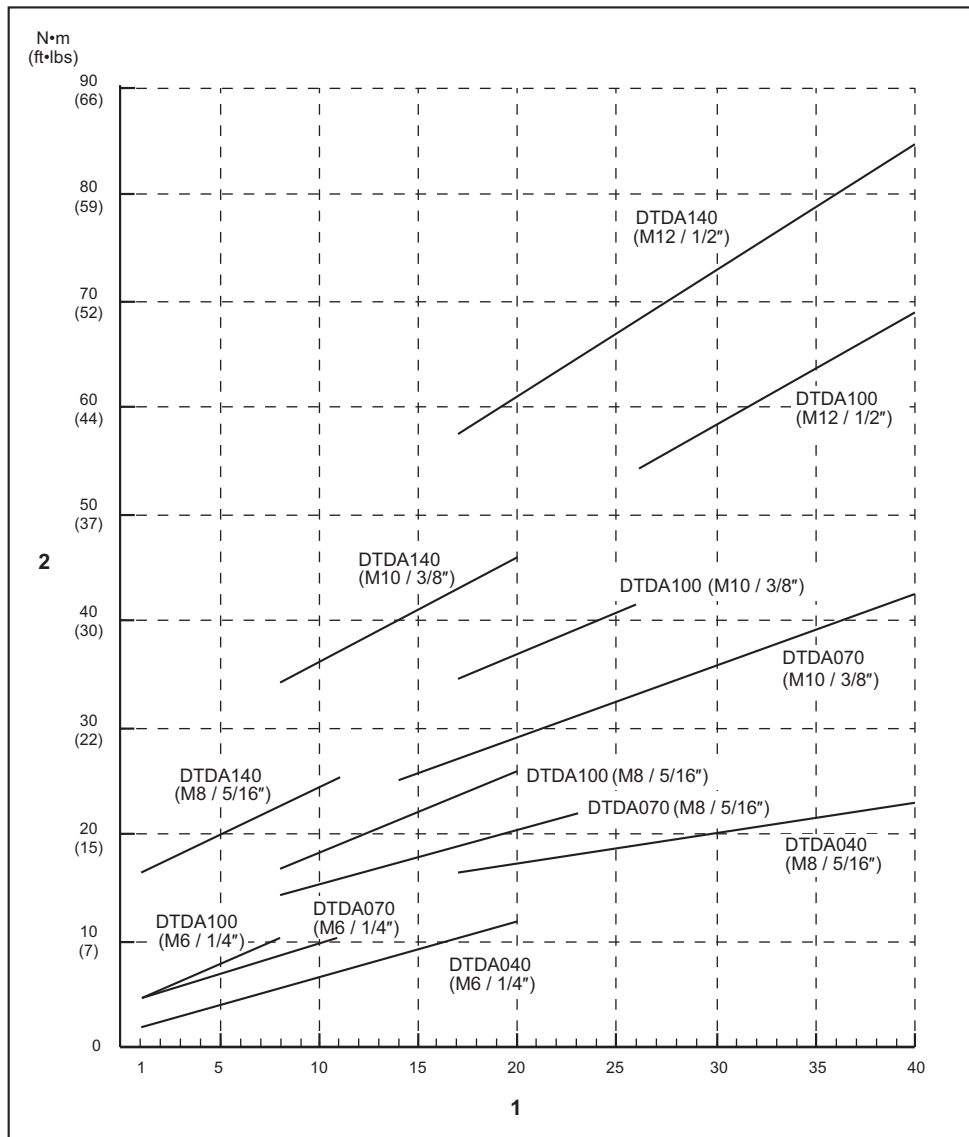
The fastening torque is affected by a wide variety of factors including the following. After fastening, always check the torque with a torque wrench.

1. When the battery cartridge is discharged almost completely, voltage will drop and the fastening torque will be reduced.
2. Driver bit or socket bit
Failure to use the correct size driver bit or socket bit will cause a reduction in the fastening torque.
3. Bolt
 - Even though the torque coefficient and the class of bolt are the same, the proper fastening torque will differ according to the diameter of bolt.
 - Even though the diameters of bolts are the same, the proper fastening torque will differ according to the torque coefficient, the class of bolt and the bolt length.
4. The use of the universal joint or the socket adapter somewhat reduces the fastening force of the tool. Compensate by fastening for a longer period of time.
5. Type of materials to be fastened, the manner of holding the tool and the tool speed will affect the torque.
6. Operating the tool at low speed will cause a reduction in the fastening torque.

Fastening torque and torque level

NOTE: This reference value is measured by the measurement conditions specified by Makita.

NOTE: The actual value may differ according to circumstances of the fasteners, materials, and fastening method. Perform a test drive before actual work.



1. Torque level 2. Fastening torque

MAINTENANCE

⚠ CAUTION: Always be sure that the tool is switched off and the battery cartridge is removed before attempting to perform inspection or maintenance.

NOTICE: Never use gasoline, benzine, thinner, alcohol or the like. Discoloration, deformation or cracks may result.

To maintain product SAFETY and RELIABILITY, repairs, any other maintenance or adjustment should be performed by Makita Authorized or Factory Service Centers, always using Makita replacement parts.

OPTIONAL ACCESSORIES

⚠ CAUTION: These accessories or attachments are recommended for use with your Makita tool specified in this manual. The use of any other accessories or attachments might present a risk of injury to persons. Only use accessory or attachment for its stated purpose.

If you need any assistance for more details regarding these accessories, ask your local Makita Service Center.

- Hook
- Screw bits
- Protector (Blue, Red, Yellow, Green, Clear)
- Battery Protector for BL1460A
- Battery Protector for BL1415NA
- Makita genuine charger
- USB cable

NOTE: Some items in the list may be included in the tool package as standard accessories. They may differ from country to country.

MAKITA LIMITED WARRANTY

Please refer to the annexed warranty sheet for the most current warranty terms applicable to this product. If annexed warranty sheet is not available, refer to the warranty details set forth at below website for your respective country.

United States of America: www.makitatools.com

Canada: www.makita.ca

Other countries: www.makita.com

SPÉCIFICATIONS

Modèle :		DTDA040	DTDA070	DTDA100	DTDA140
Capacités de serrage	Boulon standard	M5 - M10 (3/16" - 3/8")	M5 - M12 (3/16" - 1/2")		M6 - M16 (1/4" - 5/8")
	Boulon à haute résistance	M5 - M8 (3/16" - 5/16")	M5 - M10 (3/16" - 3/8")		M6 - M12 (1/4" - 1/2")
Couple de serrage maximum		35 N•m (26 ft•lbs)	65 N•m (48 ft•lbs)	95 N•m (70 ft•lbs)	140 N•m (103 ft•lbs)
Plage de couple de serrage		Environ 3 - 20 N•m (Environ 2 - 15 ft•lbs)	Environ 5 - 40 N•m (Environ 4 - 30 ft•lbs)	Environ 6 - 65 N•m (Environ 4 - 48 ft•lbs)	Environ 18 - 80 N•m (Environ 14 - 59 ft•lbs)
Vitesse à vide (T/MIN)		0 - 2 400 /min	0 - 2 500 /min	0 - 2 700 /min	
Chocs par minute		0 - 3 700 /min		0 - 3 300 /min	
Tension nominale		C.C. 14,4 V			
Longueur totale		139 mm (5-1/2")		146 mm (5-3/4")	
Poids net		1,1 - 1,4 kg (2,5 - 3,0 lbs)		1,2 - 1,4 kg (2,7 - 3,2 lbs)	1,2 - 1,5 kg (2,7 - 3,2 lbs)
Câble USB applicable		661432-2			

- Étant donné l'évolution constante de notre programme de recherche et développement, les spécifications contenues dans ce manuel sont sujettes à modification sans préavis.
- Les spécifications peuvent varier suivant les pays.
- Le poids peut varier selon les accessoires, y compris la batterie. La plus légère et la plus lourde combinaisons, selon la procédure EPTA 01/2014, sont indiquées dans le tableau.

Batteries et chargeurs applicables

Batterie	BL1415NA / BL1430B / BL1460A
Chargeur	DC18RC / DC18RD / DC18RE / DC18SD / DC18SE / DC18SF / DC18SH

- Suivant la région où vous habitez, il se peut que certaines des batteries et certains des chargeurs énumérés ci-dessus ne soient pas disponibles.

⚠ MISE EN GARDE : Utilisez exclusivement les batteries et chargeurs énumérés ci-dessus. L'utilisation de toute autre batterie ou tout autre chargeur peut entraîner une blessure et/ou un incendie.

NOTE : Cet équipement a fait l'objet d'essais et a été jugé conforme aux limites pour appareil numérique de classe A, en conformité à la section 15 des Règlements de la FCC. Ces limites sont conçues pour assurer une protection raisonnable contre le brouillage préjudiciable lorsque l'équipement est utilisé dans un environnement commercial. Cet équipement génère, utilise et peut rayonner de l'énergie de fréquence radio et, s'il n'est pas installé et utilisé conformément au manuel d'instructions, peut causer du brouillage préjudiciable sur les communications radio. L'utilisation de cet équipement dans une zone résidentielle est susceptible de causer du brouillage préjudiciable ; le cas échéant, l'utilisateur devra annuler ce brouillage à ses propres frais.

CONSIGNES DE SÉCURITÉ

Consignes de sécurité générales pour outils électriques

⚠ MISE EN GARDE : Lisez toutes les mises en garde, instructions, illustrations et spécifications qui accompagnent cet outil électrique. Il y a risque de décharge électrique, d'incendie et/ou de blessure grave si les instructions ci-dessous ne sont pas toutes respectées.

Conservez toutes les mises en garde et instructions pour référence future.

Le terme « outil électrique » qui figure dans les avertissements fait référence à un outil électrique branché sur une prise de courant (par un cordon d'alimentation) ou alimenté par batterie (sans fil).

Sécurité de la zone de travail

1. **Maintenez la zone de travail propre et bien éclairée.** Les zones de travail encombrées ou sombres ouvrent grande la porte aux accidents.

2. **N'utilisez pas les outils électriques dans les atmosphères explosives, par exemple en présence de liquides, gaz ou poussières inflammables.** Les outils électriques produisent des étincelles au contact desquelles la poussière ou les vapeurs peuvent s'enflammer.
3. **Assurez-vous qu'aucun enfant ou curieux ne s'approche pendant que vous utilisez un outil électrique.** Vous risquez de perdre la maîtrise de l'outil si votre attention est détournée.
3. **Évitez les démarrages accidentels. Assurez-vous que l'interrupteur est en position d'arrêt avant de brancher l'outil à la prise de courant et/ou au bloc-piles, et avant de prendre ou de transporter l'outil.** Vous ouvrez la porte aux accidents si vous transportez les outils électriques avec le doigt sur l'interrupteur ou si vous les branchez alors que l'interrupteur est en position de marche.

Sécurité en matière d'électricité

1. **Les fiches d'outil électrique sont conçues pour s'adapter parfaitement aux prises de courant. Ne modifiez jamais la fiche de quelque façon que ce soit. N'utilisez aucun adaptateur de fiche sur les outils électriques avec mise à la terre.** En ne modifiant pas les fiches et en les insérant dans des prises de courant pour lesquelles elles ont été conçues, vous réduirez les risques de choc électrique.
2. **Évitez tout contact corporel avec les surfaces mises à la terre, telles que tuyaux, radiateurs, cuisinières et réfrigérateurs.** Le risque de choc électrique est plus élevé si votre corps se trouve mis à la terre.
3. **N'exposez pas les outils électriques à la pluie ou à l'eau.** La présence d'eau dans un outil électrique augmente le risque de choc électrique.
4. **Ne maltraitez pas le cordon. N'utilisez jamais le cordon pour transporter, tirer ou débrancher l'outil électrique. Maintenez le cordon à l'écart des sources de chaleur, de l'huile, des objets à bords tranchants et des pièces en mouvement.** Le risque de choc électrique est plus élevé lorsque les cordons sont endommagés ou enchevêtrés.
5. **Lorsque vous utilisez un outil électrique à l'extérieur, utilisez un cordon prolongateur conçu pour l'usage extérieur.** Les risques de choc électrique est moindre lorsqu'un cordon conçu pour l'usage extérieur est utilisé.
6. **Si vous devez utiliser un outil électrique dans un endroit humide, utilisez une source d'alimentation protégée par un disjoncteur de fuite à la terre.** L'utilisation d'un disjoncteur de fuite à la terre réduit le risque de choc électrique.
7. **Les outils électriques peuvent produire des champs électromagnétiques (CEM) qui ne sont pas préjudiciables à l'utilisateur.** Les utilisateurs de stimulateur cardiaque ou autres appareils médicaux similaires doivent toutefois demander conseil au fabricant et/ou à leur médecin avant d'utiliser cet outil électrique.
4. **Retirez toute clé de réglage ou de serrage avant de mettre l'outil électrique sous tension.** Toute clé laissée en place sur une pièce rotative de l'outil électrique peut entraîner une blessure.
5. **Ne vous étirez pas exagérément. Assurez-vous d'une bonne prise au sol et d'un bon équilibre en tout temps.** Cela vous permettra d'avoir une meilleure maîtrise de l'outil électrique dans les situations imprévues.
6. **Portez des vêtements adéquats. Ne portez ni vêtements amples ni bijoux. Gardez vos cheveux, vêtements et gants à l'écart des pièces en mouvement.** Les vêtements amples, bijoux ou cheveux longs peuvent être happés par les pièces en mouvement.
7. **Si des accessoires sont fournis pour raccorder un appareil d'aspiration et de collecte de la poussière, assurez-vous qu'ils sont correctement raccordés et qu'ils sont utilisés de manière adéquate.** L'utilisation d'un appareil de collecte permet de réduire les risques liés à la présence de poussière dans l'air.
8. **Évitez d'être complaisant et d'ignorer les principes de sécurité de l'outil en raison de la familiarité acquise par un usage fréquent des outils.** Un geste imprudent peut entraîner une grave blessure en une fraction de seconde.
9. **Portez toujours des lunettes à coques de protection pour protéger vos yeux contre les blessures lors de l'utilisation d'outils électriques. Les lunettes à coques doivent être conformes à ANSI Z87.1 aux États-Unis.** L'employeur a la responsabilité d'imposer l'utilisation d'équipements de protection de sécurité adéquats aux utilisateurs des outils électriques et à toute autre personne se trouvant dans la zone de travail immédiate.

Utilisation et entretien des outils électriques

1. **Ne forcez pas l'outil électrique. Utilisez l'outil électrique adéquat suivant le type de travail à effectuer.** Si vous utilisez l'outil électrique adéquat et respectez le régime pour lequel il a été conçu, il effectuera un travail de meilleure qualité et plus sécuritaire.
2. **N'utilisez pas l'outil électrique s'il n'est pas possible de l'allumer et de l'éteindre avec son interrupteur.** Un outil électrique dont l'interrupteur est défectueux représente un danger et doit être réparé.
3. **Avant d'effectuer tout réglage, de remplacer un accessoire ou de ranger l'outil électrique, débranchez la fiche de la source d'alimentation et/ou retirez la batterie de l'outil électrique si elle est amovible.** Ces mesures préventives de sécurité réduisent les risques de démarrage accidentel de l'outil électrique.

Sécurité personnelle

1. **Restez alerte, attentif à vos mouvements et faites preuve de bon sens lorsque vous utilisez un outil électrique. N'utilisez pas les outils électriques si vous êtes fatigué ou avez pris une drogue, de l'alcool ou un médicament.** Un moment d'inattention pendant l'utilisation d'un outil électrique peut entraîner une grave blessure.
2. **Portez des dispositifs de protection personnelle. Portez toujours une protection oculaire.** Les risques de blessure seront moins élevés si vous utilisez des dispositifs de protection tels qu'un masque anti-poussière, des chaussures à semelle antidérapante, une coiffure résistante ou une protection d'oreilles.

4. **Après l'utilisation d'un outil électrique, rangez-le hors de portée des enfants et ne laissez aucune personne l'utiliser si elle n'est pas familiarisée avec l'outil électrique ou les présentes instructions d'utilisation.** Les outils électriques représentent un danger entre les mains de personnes qui n'en connaissent pas le mode d'utilisation.
5. **Effectuez l'entretien des outils électriques et des accessoires. Assurez-vous que les pièces mobiles ne sont pas désalignées ou coincées, qu'aucune pièce n'est cassée et que l'outil électrique n'a subi aucun dommage affectant son bon fonctionnement. Le cas échéant, faites réparer l'outil électrique avant de l'utiliser.** De nombreux accidents sont causés par des outils électriques mal entretenus.
6. **Maintenez les outils tranchants bien aiguisés et propres.** Un outil tranchant dont l'entretien est effectué correctement et dont les bords sont bien aiguisés risquera moins de se coincer et sera plus facile à maîtriser.
7. **Utilisez l'outil électrique, ses accessoires, ses embouts, etc., en respectant les présentes instructions, en tenant compte des conditions de travail et du type de travail à effectuer.** L'utilisation d'un outil électrique pour d'autres usages que ceux prévus peut entraîner une situation dangereuse.
8. **Gardez les poignées et surfaces de saisie sèches, propres et exemptes d'huile et de graisse.** Les poignées et surfaces de saisie glissantes ne permettent pas une manipulation sûre et une bonne maîtrise de l'outil dans les situations inattendues.
9. **Lors de l'utilisation de l'outil, ne portez pas de gants de travail en tissu qui risquent de s'enchevêtrer dans l'outil.** L'enchevêtrement de gants de travail en tissu dans les pièces en mouvement peut entraîner une blessure.

Utilisation et entretien des outils alimentés par batterie

1. **Pour recharger, utilisez uniquement le chargeur spécifié par le fabricant.** L'utilisation d'un chargeur conçu pour un type donné de bloc-piles comporte un risque d'incendie lorsqu'il est utilisé avec un autre type de bloc-piles.
2. **N'utilisez un outil électrique qu'avec le bloc-piles conçu spécifiquement pour cet outil.** Il y a un risque de blessure ou d'incendie si un autre bloc-piles est utilisé.
3. **Lorsque vous n'utilisez pas le bloc-piles, rangez-le à l'écart des objets métalliques tels que trombones, pièces de monnaie, clés, clous, vis ou autres petits objets métalliques qui risqueraient d'établir une connexion entre les bornes.** La mise en court-circuit des bornes de batterie peut causer des brûlures ou un incendie.
4. **Dans des conditions d'utilisation inadéquates de la batterie, il peut y avoir fuite d'électrolyte; évitez tout contact avec ce liquide.** En cas de contact accidentel, rincez avec beaucoup d'eau. Si le liquide pénètre dans vos yeux, il faut aussi consulter un médecin. L'électrolyte qui s'échappe de la batterie peut causer des irritations ou des brûlures.

Réparation

1. **Faites réparer votre outil électrique par un réparateur qualifié qui utilise des pièces de rechange identiques aux pièces d'origine.** Le maintien de la sûreté de l'outil électrique sera ainsi assuré.
2. **N'essayez jamais de réparer les batteries endommagées.** La réparation des batteries ne doit être effectuée que par le fabricant ou par un fournisseur de service après-vente agréé.
3. **Suivez les instructions de lubrification et de remplacement des accessoires.**
4. **Ne modifiez pas ou n'essayez pas de réparer l'appareil ou la batterie autrement que tel qu'indiqué dans les instructions d'utilisation et d'entretien.**

Consignes de sécurité pour le tournevis à chocs sans fil

1. **Tenez l'outil par ses surfaces de prise isolées pendant toute opération où l'accessoire de fixation pourrait venir en contact avec un câblage dissimulé.** En cas de contact avec un conducteur sous tension, les pièces métalliques à découvert de l'outil peuvent devenir sous tension et transmettre un choc électrique à l'utilisateur.
2. **Pensez toujours à prendre pied solidement. Assurez-vous qu'il n'y a personne plus bas lorsque vous utilisez l'outil en position élevée.**
3. **Tenez l'outil fermement.**
4. **Portez une protection d'oreilles.**
5. **Ne touchez ni l'embout, ni la pièce à travailler immédiatement après l'utilisation. Ils peuvent être extrêmement chauds et vous brûler la peau.**
6. **Gardez les mains éloignées des pièces en rotation.**
7. **Utilisez la ou les poignées auxiliaires si elles sont fournies avec l'outil.** Toute perte de maîtrise comporte un risque de blessure.
8. **Tenez l'outil électrique par ses surfaces de prise isolées pendant toute opération où l'accessoire de coupe pourrait venir en contact avec un câblage dissimulé.** En cas de contact avec un conducteur sous tension, les pièces métalliques à découvert de l'outil électrique pourraient devenir sous tension et risqueraient de transmettre un choc électrique à l'utilisateur.

9. Assurez-vous qu'il n'y a pas de câbles électriques, tuyaux d'eau, tuyaux de gaz, etc., pouvant entraîner un danger s'ils sont endommagés lors de l'utilisation de l'outil.




CONSERVEZ CES INSTRUCTIONS.

⚠ MISE EN GARDE : NE vous laissez PAS tromper (au fil d'une utilisation répétée) par un sentiment d'aisance ou de familiarité avec le produit en négligeant les consignes de sécurité qui accompagnent le produit.

UNE UTILISATION INCORRECTE ou le non-respect des règles de sécurité énoncées dans le présent manuel d'instructions peut provoquer des blessures graves.

Symboles

Les symboles utilisés pour l'outil sont indiqués ci-dessous.

	volts
	courant continu
n_0	vitesse à vide
... /min r /min	tours ou alternances par minute
	nombre de frappes

Consignes de sécurité importantes pour la batterie

- Avant d'utiliser la batterie, lisez toutes les instructions et les mises en garde apposées sur (1) le chargeur de batterie, (2) la batterie et (3) le produit utilisant la batterie.
- Ne démontez pas et ne modifiez pas la batterie. Cela peut entraîner un incendie, une chaleur excessive ou une explosion.
- Cessez immédiatement l'utilisation si le temps de fonctionnement devient excessivement court. Il y a risque de surchauffe, de brûlures, voire d'explosion.
- Si l'électrolyte pénètre dans vos yeux, rincez-les à l'eau claire et consultez immédiatement un médecin. Il y a risque de perte de la vue.
- Ne court-circuitez pas la batterie :
 - Ne touchez les bornes avec aucun matériau conducteur.
 - Évitez de ranger la batterie dans un conteneur avec d'autres objets métalliques tels que clous, pièces de monnaie, etc.
 - Évitez d'exposer la batterie à l'eau ou à la pluie.

Un court-circuit de la batterie pourrait provoquer un fort courant, une surchauffe, parfois des brûlures et même une panne.

- Ne rangez pas et n'utilisez pas l'outil ou la batterie dans des emplacements où la température peut atteindre ou dépasser 50 °C (122 °F).
- Ne jetez pas la batterie au feu même si elle est sérieusement endommagée ou complètement épuisée. La batterie peut exploser au contact du feu.
- Évitez de clouer, de couper, d'écraser, de lancer ou d'échapper la batterie, ou de heurter un objet dur contre la batterie. Cela peut entraîner un incendie, une chaleur excessive ou une explosion.
- N'utilisez pas une batterie si elle est endommagée.
- Les batteries lithium-ion fournies sont soumises aux exigences de la législation sur les marchandises dangereuses.

Des exigences particulières sur l'emballage et l'étiquetage doivent être respectées lors du transport commercial par des tiers, des transitaires, etc. Pour préparer la marchandise à expédier, consultez un expert en matériaux dangereux si nécessaire. Respectez aussi les éventuelles réglementations nationales plus détaillées.

Recouvrez de ruban isolant les contacts exposés, et emballez la batterie de sorte qu'elle ne puisse pas se déplacer à l'intérieur de l'emballage.

- Lors de l'élimination de la batterie, retirez-la de l'outil et éliminez-la dans un endroit sûr. Respectez la réglementation locale concernant l'élimination de la batterie.
- N'utilisez les batteries qu'avec les produits spécifiés par Makita. Installer les batteries sur des produits non conformes peut entraîner un incendie, une chaleur excessive, une explosion ou une fuite d'électrolyte.
- Si l'outil reste inutilisé pour une période prolongée, la batterie doit en être retirée.
- Pendant et après l'utilisation, la batterie peut accumuler de la chaleur, ce qui peut causer des brûlures ou des brûlures à basse température. Faites attention lors de la manipulation des batteries chaudes.
- Ne touchez pas la borne de l'outil immédiatement après l'utilisation, car elle peut être assez chaude pour causer des brûlures.
- Ne laissez pas les copeaux, les poussières ou la terre se coincer dans les bornes, les trous et les rainures de la batterie. Cela peut entraîner un fonctionnement médiocre ou une panne de l'outil ou de la batterie.
- À moins que l'outil ne soit compatible avec l'utilisation à proximité des lignes électriques haute tension, n'utilisez pas la batterie à proximité d'une ligne électrique haute tension. Cela peut entraîner un dysfonctionnement ou une panne de l'outil ou de la batterie.
- Gardez la batterie à l'écart des enfants.

CONSERVEZ CES INSTRUCTIONS.

⚠ ATTENTION : Utilisez exclusivement les batteries fabriquées par Makita. Les batteries autres que celles fabriquées par Makita ou les batteries modifiées peuvent exploser et causer un incendie, une blessure ou des dommages. Cela annule aussi la garantie Makita de l'outil et du chargeur Makita.

Conseils pour maintenir la durée de service maximale de la batterie

1. Rechargez la batterie avant qu'elle ne soit complètement déchargée. Arrêtez toujours l'outil et rechargez la batterie quand vous remarquez que la puissance de l'outil diminue.
2. Ne rechargez jamais une batterie complètement chargée. La surcharge réduit la durée de service de la batterie.
3. Chargez la batterie à une température ambiante comprise entre 10 °C et 40 °C (50 °F et 104 °F). Si la batterie est chaude, laissez-la refroidir avant de la charger.
4. Lorsque vous n'utilisez pas la batterie, retirez-la de l'outil ou du chargeur.
5. Chargez la batterie si elle est restée inutilisée pendant une période prolongée (plus de six mois).

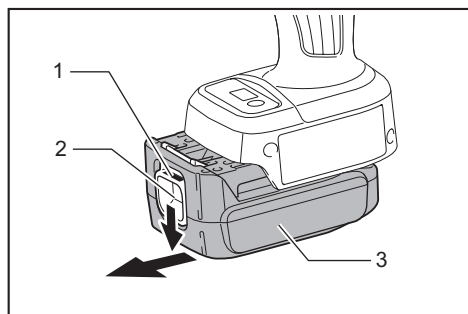
DESCRIPTION DU FONCTIONNEMENT

ATTENTION : Assurez-vous toujours que l'outil est éteint et que sa batterie est retirée avant de l'ajuster ou de vérifier son fonctionnement.

Installation ou retrait de la batterie

ATTENTION : Éteignez toujours l'outil avant d'installer ou de retirer la batterie.

ATTENTION : Tenez fermement l'outil et la batterie lors de l'installation ou du retrait de cette dernière. Si l'outil et la batterie ne sont pas tenus fermement, ils risquent de vous glisser des mains et de subir des dommages, ou encore de vous blesser.



► 1. Indicateur rouge 2. Bouton 3. Batterie

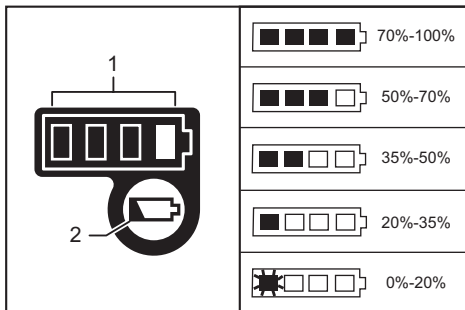
Pour retirer la batterie, faites-la glisser hors de l'outil tout en glissant le bouton qui se trouve à l'avant.

Pour installer la batterie, alignez sa languette sur la rainure pratiquée dans le boîtier et glissez la batterie en place. Insérez-la à fond jusqu'à ce que vous entendiez un léger déclic. Si vous pouvez voir l'indicateur rouge tel qu'illustré sur la figure, cela signifie qu'elle n'est pas complètement verrouillée.

ATTENTION : Installez toujours la batterie à fond jusqu'à ce que vous ne puissiez plus voir l'indicateur rouge. Autrement elle risque de tomber accidentellement de l'outil et d'entraîner des blessures.

ATTENTION : Ne forcez pas sur la batterie pour l'installer. Si la batterie ne glisse pas facilement, c'est qu'elle n'est pas insérée correctement.

Vérification du niveau de charge de la batterie (BL1460A)



► 1. Témoins indicateurs 2. Bouton de vérification

NOTE : Suivant les conditions d'utilisation et la température ambiante, il se peut que l'indication soit légèrement différente de la charge réelle.

Pendant la charge

Lorsque la charge commence, le premier témoin indicateur (à l'extrême gauche) commence à clignoter. Puis, à mesure que la batterie se charge, les autres témoins s'allument un après l'autre pour indiquer le niveau de charge de la batterie.

NOTE : Si la lampe témoin ne s'allume pas ou ne clignote pas pendant la charge, il se peut que la batterie soit défectueuse. Le cas échéant, informez-vous auprès de votre centre de service après-vente local.

Pendant l'utilisation

Lorsque vous allumez l'outil, les témoins s'allument pour indiquer la charge restante de la batterie. Lorsque vous éteignez l'outil, la lumière s'éteint au bout d'environ 5 secondes.

Lorsque vous appuyez sur le bouton de vérification alors que l'outil est éteint, les lampes témoin s'allument pendant environ 5 secondes pour indiquer la charge de la batterie.

Si le témoin orange clignote, l'outil s'arrête en raison de la faible charge restante de la batterie (mécanisme d'arrêt automatique). Chargez la batterie ou utilisez une batterie chargée à ce moment.

Si l'outil est utilisé avec une batterie restée longtemps inutilisée, il se peut que les témoins ne s'allument pas lorsque vous allumerez l'outil. L'outil s'arrête en raison de la faible charge restante de la batterie à ce moment. Chargez la batterie adéquatement.

Dispositif de protection de l'outil et de la batterie

L'outil est équipé d'un système de protection d'outil/batterie. Ce système coupe automatiquement l'alimentation du moteur pour augmenter la durée de vie de l'outil et de la batterie. L'outil s'arrête automatiquement pendant l'utilisation lorsque l'outil ou la batterie est dans l'une des situations suivantes :

Protection contre la surcharge

Lorsque l'outil ou la batterie est utilisé d'une façon qui lui fait consommer un courant anormalement élevé, l'outil s'arrête automatiquement. Dans ce cas, éteignez l'outil et arrêtez l'application qui cause une surcharge de l'outil. Remettez ensuite le contact pour redémarrer.

Protection contre la surchauffe

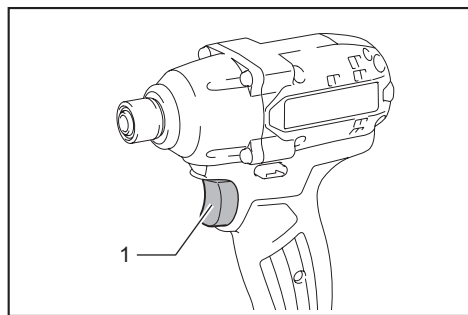
Lorsque l'outil ou la batterie surchauffe, l'outil s'arrête automatiquement. Il faut alors laisser refroidir l'outil ou la batterie avant de rallumer l'outil.

Protection contre la décharge excessive

Lorsque la charge de la batterie est insuffisante, l'outil s'arrête automatiquement. Dans ce cas, retirez la batterie de l'outil et chargez la batterie.

Interrupteur

ATTENTION : Avant d'insérer la batterie dans l'outil, vérifiez toujours que la gâchette fonctionne bien et revient en position d'arrêt lorsque libérée.



► 1. Gâchette

Pour démarrer l'outil, appuyez simplement sur la gâchette. La vitesse de l'outil augmente à mesure que l'on accroît la pression sur la gâchette. Pour l'arrêter, libérez la gâchette.

NOTE : L'outil s'arrête automatiquement si vous appuyez constamment sur la gâchette pendant environ 3 minutes.

Frein électrique

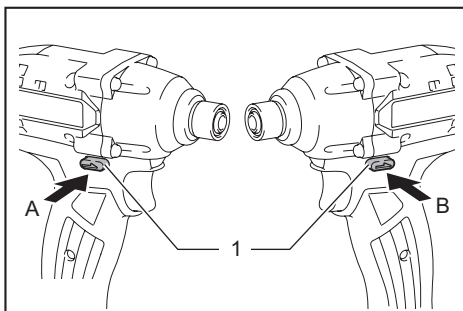
Cet outil est muni d'un frein électrique. Si la libération du levier de la gâchette ne permet jamais d'arrêter promptement l'outil, faites-le réparer dans un centre de service après-vente Makita.

Fonctionnement de l'inverseur

ATTENTION : Avant l'utilisation, vérifiez toujours le sens de la rotation.

ATTENTION : N'actionnez l'inverseur qu'une fois l'outil complètement arrêté. Changer le sens de rotation avant que l'outil ne s'arrête peut endommager l'outil.

ATTENTION : Lorsque vous n'utilisez pas l'outil, placez toujours le levier inverseur en position neutre.

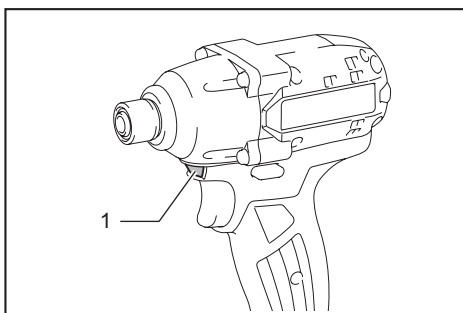


► 1. Levier inverseur

L'outil possède un inverseur qui permet de changer le sens de rotation. Enfoncez le levier inverseur du côté A pour une rotation dans le sens des aiguilles d'une montre, ou du côté B pour une rotation dans le sens contraire des aiguilles d'une montre.

La pression sur la gâchette n'est pas possible lorsque le levier inverseur se trouve en position neutre.

Allumage de la lampe avant



► 1. Lampe

ATTENTION : Évitez de regarder directement le faisceau lumineux ou sa source.

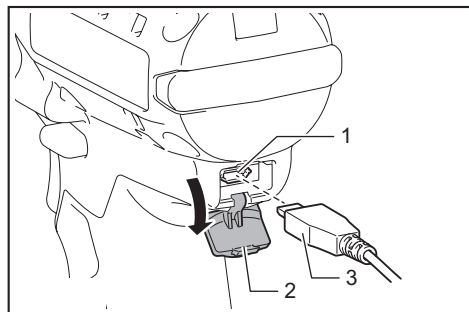
Appuyez sur la gâchette pour allumer la lampe. La lampe reste allumée tant que vous appuyez sur la gâchette. La lampe s'éteint environ 10 secondes après avoir relâché la gâchette.

NOTE : Utilisez un linge sec pour enlever les poussières sur la lentille de la lampe. Prenez garde de rayer la lentille de la lampe, car cela peut affecter son intensité d'éclairage.

Modification du réglage de paramètre sur l'ordinateur

Vous pouvez configurer le réglage fin de l'outil avec l'application logicielle « Paramètres des outils industriels Makita ». Installez l'application logicielle sur l'ordinateur, et connectez l'outil à l'ordinateur avec un câble USB.

Reportez-vous au manuel d'instructions de « Paramètres des outils industriels Makita » pour plus de détails sur la configuration.



► 1. Port USB 2. Cache USB 3. Câble USB

AVIS : Assurez-vous que le cache USB est fermé pendant le serrage.

NOTE : Lorsque vous enfoncez le levier inverseur pendant la rotation dans le sens des aiguilles d'une montre, le voyant indique le réglage de rotation dans le sens des aiguilles d'une montre.

Lorsque vous enfoncez le levier inverseur pendant la rotation dans le sens contraire des aiguilles d'une montre, le voyant indique le réglage de rotation dans le sens contraire des aiguilles d'une montre.

NOTE : Utilisez le nombre prédéfini comme guide. Pour maintenir le couple de serrage, le nombre de chocs change automatiquement selon la charge restante de la batterie.

NOTE : Utilisez le câble USB Makita d'origine pour connecter votre ordinateur avec l'outil. Consultez la section « SPÉCIFICATIONS ».

NOTE : Pour l'application logicielle, veuillez contacter un représentant de commerce Makita.

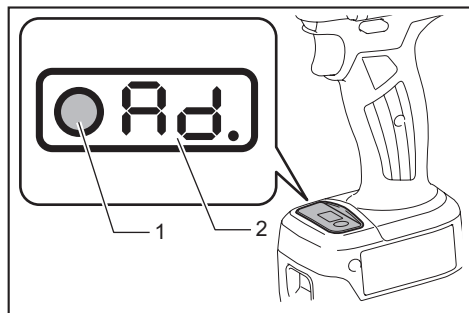
Modification du réglage de paramètre sur l'outil (mode Réglage de champ)

AVIS : Cette fonction est disponible par défaut. Si vous avez désactivé le mode Réglage de champ sur l'ordinateur, activez cette fonction à l'avance. Reportez-vous au manuel d'instructions de « Paramètres des outils industriels Makita » pour la méthode de configuration.

AVIS : Si le mode Réglage de champ est désactivé, il n'est pas possible d'effectuer des réglages sur l'outil. Lorsque vous appuyez sur le bouton de réglage, les valeurs définies sur l'outil s'affichent dans l'ordre.

Le numéro de réglage actuel s'affiche sur le voyant.

Chaque fois que vous appuyez sur le bouton de réglage, le voyant indique le niveau de couple de serrage, le niveau de décharge, l'intervalle de temps utilisable et « Ad ».



► 1. Bouton de réglage 2. Voyant

Vous pouvez modifier les réglages de paramètre suivants sur votre outil :

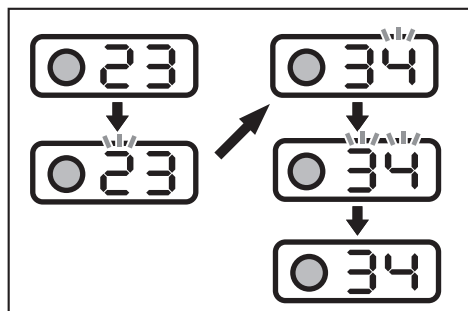
- Réglage d'arrêt automatique / Mode libre

Option de réglage	Affichage sur le voyant	Description
Niveau de couple de serrage	01 - 40 FF OP	Le niveau de couple de serrage auquel le mode Arrêt automatique du serrage s'active
Niveau de décharge	L1 - L7 OP	La sensibilité du positionnement de la pièce de fixation
Intervalle de temps utilisable	Lo : 0.1 - 9.9 HI : 0.1 - 9.9 -.-	La durée la plus courte/longue de la rotation lorsque vous maintenez la gâchette enfoncée.

AVIS : Si « OP » (mode Arrêt automatique du desserrage) s'affiche sur le voyant, le réglage du niveau de couple de serrage et le réglage du niveau de décharge ne sont pas disponibles. Dans ce cas, passez en mode Arrêt automatique du serrage, puis réglez le niveau de couple de serrage et le niveau de décharge sur l'ordinateur au moyen de « Paramètres des outils industriels Makita ».

Modification du niveau de couple de serrage

Lorsque vous modifiez le niveau de couple de serrage de 23 à 34



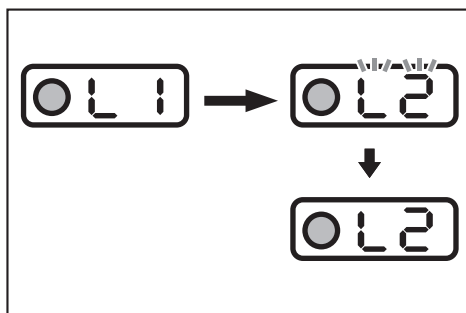
1. Appuyez plusieurs fois sur le bouton de réglage, jusqu'à ce que le voyant indique le numéro à deux chiffres qui représente le réglage actuel du niveau de couple de serrage.
2. Maintenez le bouton de réglage enfoncé jusqu'à ce que le chiffre des dizaines se mette à clignoter.
3. Réglez le chiffre des dizaines en appuyant brièvement sur le bouton de réglage. Chaque fois que vous appuyez sur le bouton de réglage, le voyant indique un chiffre de « 0 » à « 4 » et « F », de manière cyclique.
4. Maintenez le bouton de réglage enfoncé jusqu'à ce que le chiffre des unités se mette à clignoter.
5. Réglez le chiffre des unités en appuyant brièvement sur le bouton de réglage. Chaque fois que vous appuyez sur le bouton de réglage, le voyant indique un chiffre de « 0 » à « 9 » et « F », de manière cyclique.
6. Maintenez le bouton de réglage enfoncé pendant quelques secondes.

NOTE : Si vous n'êtes pas sûr du niveau de couple de serrage adéquat pour le travail à exécuter, réglez l'outil sur « FF » pour qu'il fonctionne en mode Libre.

NOTE : Si vous saisissez « 00 », « FF » s'affiche au lieu de « 00 ».

Modification du niveau de décharge

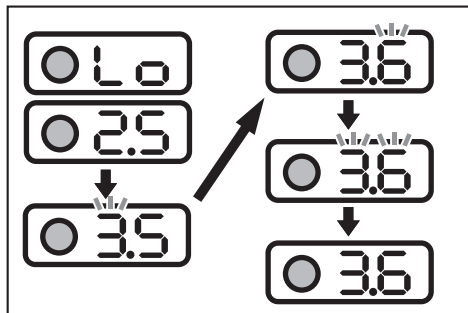
Lorsque vous modifiez le niveau de décharge de L1 à L2



1. Appuyez plusieurs fois sur le bouton de réglage jusqu'à ce que le voyant indique 2 caractères, commençant par « L » et suivi d'un chiffre. Il s'agit du réglage actuel du niveau de décharge.
2. Maintenez le bouton de réglage enfoncé jusqu'à ce que le voyant se mette à clignoter.
3. Réglez le niveau de décharge. Chaque fois que vous appuyez sur le bouton de réglage, le voyant indique de « L1 » à « L7 », de manière cyclique. Le niveau de décharge le plus bas est « L1 », et le plus élevé est « L7 ».
4. Maintenez le bouton de réglage enfoncé pendant quelques secondes.

Modification de l'intervalle de temps utilisable le plus court

Lorsque vous modifiez l'intervalle de temps utilisable le plus court de 2.5 à 3.6

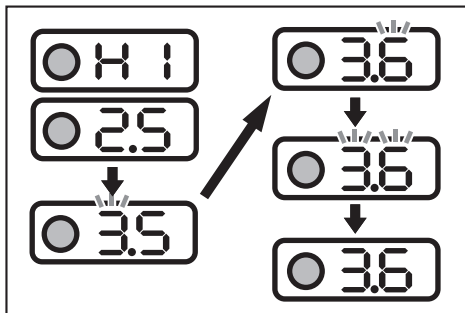


1. Appuyez plusieurs fois sur le bouton de réglage, jusqu'à ce que le voyant indique « Lo » et un nombre de manière alternée. Il s'agit du réglage actuel de l'intervalle de temps utilisable le plus court.
2. Maintenez le bouton de réglage enfoncé jusqu'à ce que le chiffre des unités se mette à clignoter.
3. Réglez le chiffre des unités en appuyant brièvement sur le bouton de réglage. Chaque fois que vous appuyez sur le bouton de réglage, le voyant indique un chiffre de « 0 » à « 9 », de manière cyclique.
4. Maintenez le bouton de réglage enfoncé jusqu'à ce que le chiffre de la décimale se mette à clignoter.
5. Réglez le chiffre de la décimale en appuyant brièvement sur le bouton de réglage. Chaque fois que vous appuyez sur le bouton de réglage, le voyant indique un chiffre de « 0 » à « 9 », de manière cyclique.
6. Maintenez le bouton de réglage enfoncé pendant quelques secondes.

NOTE : Lorsque vous réglez l'intervalle de temps utilisable le plus court sur une valeur plus petite que « 0.1 », le voyant indique « -.- » et l'intervalle de temps utilisable le plus court se désactive. Pour saisir « -.- », réglez la valeur sur « 0.9 » puis appuyez sur le bouton de réglage lorsque le chiffre des unités se met à clignoter.

Modification de l'intervalle de temps utilisable le plus long

Lorsque vous modifiez l'intervalle de temps utilisable le plus long de 2.5 à 3.6



1. Appuyez plusieurs fois sur le bouton de réglage jusqu'à ce que le voyant indique « HI » et un nombre de manière alternée. Il s'agit du réglage actuel de l'intervalle de temps utilisable le plus long.
2. Maintenez le bouton de réglage enfoncé jusqu'à ce que le chiffre des unités se mette à clignoter.
3. Réglez le chiffre des unités en appuyant brièvement sur le bouton de réglage. Chaque fois que vous appuyez sur le bouton de réglage, le voyant indique un chiffre de « 0 » à « 9 », de manière cyclique.
4. Maintenez le bouton de réglage enfoncé jusqu'à ce que le chiffre de la décimale se mette à clignoter.
5. Réglez le chiffre de la décimale en appuyant brièvement sur le bouton de réglage. Chaque fois que vous appuyez sur le bouton de réglage, le voyant indique un chiffre de « 0 » à « 9 », de manière cyclique.
6. Maintenez le bouton de réglage enfoncé pendant quelques secondes.

NOTE : Lorsque vous réglez l'intervalle de temps utilisable le plus long sur une valeur plus grande que « 9.9 », le voyant indique « -.- » et l'intervalle de temps utilisable le plus long se désactive. Pour saisir « -.- », réglez la valeur sur « 9.9 » puis appuyez sur le bouton de réglage lorsque le chiffre des unités se met à clignoter.

Mesure d'une opération réelle (autodiagnostic)

AVIS : Cette fonction est disponible par défaut. Si vous avez désactivé le mode Réglage de champ sur l'ordinateur, activez cette fonction à l'avance. Reportez-vous au manuel d'instructions de « Paramètres des outils industriels Makita » pour la méthode de configuration.

Vous pouvez mesurer le niveau de couple de serrage et le temps de fonctionnement d'une opération réelle en utilisant l'outil. Le niveau de couple de serrage et le temps mesurés peuvent être utilisés notamment :

- pour reproduire la technique de contrôle du couple de serrage d'un travailleur très qualifié;
- comme référence de temps pour le réglage de l'intervalle de temps utilisable le plus court/long.

Mesure du niveau de couple de serrage et du temps de fonctionnement

1. Appuyez plusieurs fois sur le bouton de réglage, jusqu'à ce que « Ad. » s'affiche sur le voyant.
2. Maintenez le bouton de réglage enfoncé jusqu'à ce que le voyant indique « Ch ».
3. Effectuez l'opération pour laquelle vous souhaitez mesurer le temps de fonctionnement.
 - Si vous avez configuré le niveau de couple de serrage, faites fonctionner l'outil jusqu'à ce qu'il s'arrête en mode Arrêt automatique du serrage.
 - Si vous n'avez pas configuré le niveau de couple de serrage (mode Libre), faites fonctionner l'outil aussi longtemps que nécessaire.
4. Vérifiez le résultat de la mesure. Appuyez une fois sur le bouton de réglage pour afficher le niveau de couple de serrage actuel, et une fois de plus pour afficher le temps de fonctionnement actuel. Chaque fois que vous appuyez sur le bouton de réglage, le voyant indique « Ch », le numéro du niveau de couple de serrage actuel ou le numéro du temps de fonctionnement actuel, de manière cyclique.
5. Maintenez le bouton de réglage enfoncé pour quitter l'autodiagnostic.

NOTE : Le mode Arrêt automatique du serrage fonctionne même pendant l'autodiagnostic. Si vous souhaitez mesurer le niveau de couple de serrage sans limitation, réglez l'outil sur le niveau de couple de serrage « FF » (mode Libre) et suivez la procédure ci-dessus.

NOTE : Si « - - » s'affiche sur le voyant, le choc n'a pas fonctionné ou le niveau de couple de serrage est supérieur à 40. Si « -.- » s'affiche sur le voyant, le temps de fonctionnement dépasse 9,9 secondes.

- Si le choc n'a pas fonctionné : Reprenez la mesure du niveau de couple de serrage avec un temps utilisable plus long.
- Si le niveau de couple de serrage est supérieur à 40 : L'outil ne peut pas mesurer le niveau de couple de serrage. Utilisez l'outil avec une plage de couple de serrage plus élevée si disponible.
- Si le temps de fonctionnement dépasse 9,9 secondes, l'intervalle de temps utilisable n'est pas disponible.

Exemple de mesure :

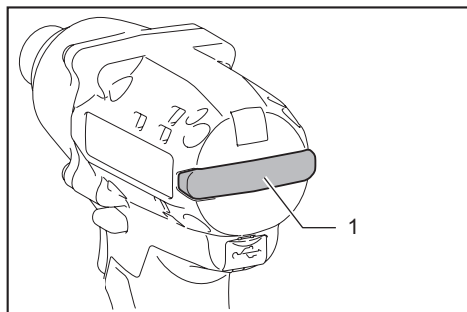
En configurant le réglage suivant, vous pourrez lire l'état de l'outil.

Cas 1

Option de réglage	Réglage de l'outil	Résultat de mesure	Diagnostic
Niveau de couple de serrage	23	20	L'outil a été arrêté par le réglage de l'intervalle de temps utilisable le plus long (3,5 sec.) avant d'atteindre le réglage du mode Arrêt automatique du serrage (niveau de couple de serrage 23).
Intervalle de temps utilisable	le plus court : 2,5 sec. le plus long : 3,5 sec.	3,5	

Cas 2

Option de réglage	Réglage de l'outil	Résultat de mesure	Diagnostic
Niveau de couple de serrage	23	23	L'outil a été arrêté par le mode Arrêt automatique du serrage (niveau de couple de serrage 23) avant d'atteindre le réglage de l'intervalle de temps utilisable le plus long (3,5 sec.).
Intervalle de temps utilisable	le plus court : 2,5 sec. le plus long : 3,5 sec.	3	



► 1. Voyant DEL

Le voyant DEL / avertisseur de l'outil indique les fonctions suivantes.

N° d'alarme	Fonction	État de l'outil	État du voyant DEL/avertisseur		Mesure à prendre
			Voyant DEL	Avertisseur	
E0	Erreur de mise en place de la batterie	Si la batterie est mise en place alors que la gâchette est enfoncée, l'outil s'arrête pour éviter un démarrage involontaire.	Clignote alternativement en rouge et en vert.	Une suite de bips longs	Mettez la batterie en place alors que la gâchette est libérée.
E1	Arrêt automatique	La batterie faiblit et il est temps de la remplacer.	Clignote alternativement en rouge et en vert.	Une suite de bips longs	Remplacez la batterie par une autre complètement chargée.
E2	Anti-réinitialisation du contrôleur	La tension de la batterie a chuté anormalement pour une raison quelconque et l'outil s'est arrêté.	Clignote alternativement en rouge et en vert.	Une suite de bips longs	Remplacez la batterie par une autre complètement chargée.
E3	Arrêt automatique lorsque la charge restante de la batterie est faible	La batterie est presque épuisée et l'outil s'est arrêté.	S'allume en rouge.	Un bip long	Remplacez la batterie par une autre complètement chargée.
E4	Protection contre la surcharge	L'outil était surchargé et s'est arrêté.	Clignote alternativement en rouge et en vert.	Une suite de bips longs	Éliminez la cause de la surcharge, puis redémarrez l'outil. Demandez à votre centre de service après-vente local Makita de le réparer.
E5	Protection contre la surchauffe	Le contrôleur de l'outil a chauffé anormalement et l'outil s'est arrêté.	Clignote rapidement en rouge.	Une suite de bips longs	Retirez la batterie immédiatement et laissez refroidir l'outil.
E6	Verrouillage du moteur	Le moteur a été verrouillé. Le cas échéant, l'outil ne fonctionne pas.	Clignote alternativement en rouge et en vert.	Une suite de bips longs	Libérez la gâchette, puis appuyez de nouveau dessus.
E7	Panne de moteur	L'outil a détecté une panne de moteur. Le cas échéant, l'outil ne fonctionne pas.	Clignote alternativement en rouge et en vert.	Une suite de bips longs	Demandez à votre centre de service après-vente local Makita de le réparer.
E8	Panne d'interrupteur	L'outil a détecté une panne d'interrupteur.	Clignote alternativement en rouge et en vert.	Une suite de bips longs	Demandez à votre centre de service après-vente local Makita de le réparer.
E9	Alarme suite à une utilisation prolongée	L'outil est resté longtemps allumé (environ 3 minutes).	Clignote alternativement en rouge et en vert.	Un bip long	Libérez la gâchette, puis appuyez de nouveau dessus.

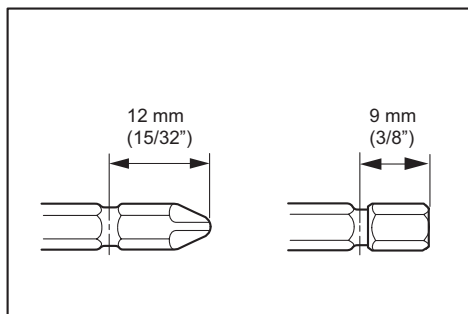
N° d'alarme	Fonction	État de l'outil	État du voyant DEL/avertisseur		Mesure à prendre
			Voyant DEL	Avertisseur	
-	Arrêt automatique à l'achèvement du serrage	Le couple de serrage prédéfini a été atteint et l'outil s'est arrêté.	S'allume en vert pendant environ une seconde.	-	-
-	Alarme de serrage insuffisant	Le couple de serrage prédéfini n'a pas été atteint, car la gâchette a été libérée avant l'achèvement du serrage.	S'allume en vert pendant environ une seconde.	Un bip long	Resserrez la pièce de fixation.
-	Alarme pour la limite de capacité de serrage	-	Clignote rapidement en rouge.	Une suite de bips longs	Remplacez la batterie par une autre complètement chargée.
-	Alarme d'entretien	Le nombre de pièces de fixation entraînées a atteint le nombre prédéfini pour l'entretien.	Clignote en jaune.	-	Réinitialisez l'alarme avec l'application logicielle.
-	Alarme de non-communication avec le PC	Pas de transmission de données pendant que l'outil est connecté au PC.	Clignote en jaune.	-	Relancez l'application logicielle et reconnectez le câble USB.
-	Indication que l'outil peut communiquer avec le PC	L'outil est connecté au PC et capable de communiquer avec.	Clignote en vert.	-	-
-	Vérifiez la lampe et l'avertisseur (lorsque la batterie est en place)	L'outil exécute l'essai de fonctionnement du voyant DEL (vert/rouge), la lumière et l'avertisseur.	Le voyant DEL s'allume en vert puis en rouge. Ensuite, la lumière reste allumée pendant un moment.	Une suite de bips très courts	-

ASSEMBLAGE

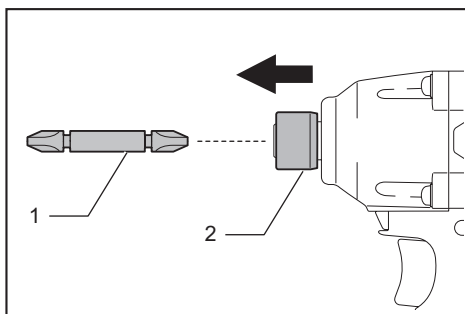
ATTENTION : Assurez-vous toujours que l'outil est éteint et que sa batterie est retirée avant d'effectuer tout travail dessus.

Installation ou retrait de l'embout-tournevis ou de l'embout-douille

Accessoire en option



Utilisez uniquement l'embout-tournevis ou l'embout-douille indiqué sur la figure. N'utilisez aucun autre embout-tournevis ou embout-douille.



► 1. Embout-tournevis 2. Manchon

Pour installer l'embout-tournevis / l'embout à douille, tirez le manchon dans le sens de la flèche et insérez à fond dans le manchon l'embout-tournevis / l'embout à douille.

Libérez ensuite le manchon pour fixer l'embout-tournevis / l'embout à douille.

Pour retirer l'embout-tournevis / l'embout à douille, tirez le manchon dans le sens de la flèche et dégagez l'embout-tournevis / l'embout à douille.

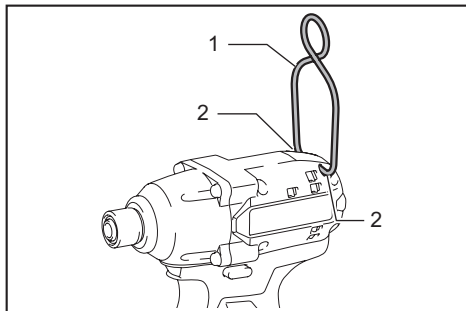
NOTE : Si l'embout-tournevis / l'embout à douille n'est pas inséré assez profondément dans le manchon, celui-ci ne reviendra pas sur sa position originale et l'embout-tournevis / l'embout à douille ne serrera pas bien fixé. Le cas échéant, réinsérez l'embout-tournevis / l'embout à douille en suivant les instructions ci-dessus.

NOTE : Après l'insertion de l'embout-tournevis / l'embout à douille, assurez-vous qu'il est fermement fixé. S'il sort, ne l'utilisez pas.

Installation du crochet

Accessoire en option

Le crochet est pratique pour suspendre l'outil. Posez le crochet sur les trous du corps de l'outil.

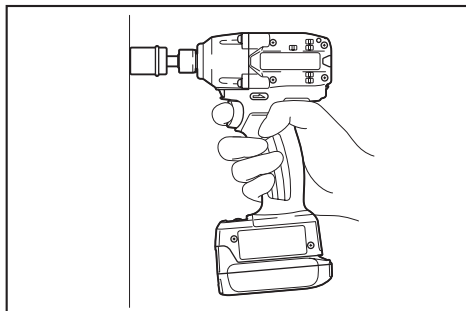


► 1. Crochet 2. Trou

UTILISATION

ATTENTION : Une pression excessive sur l'outil n'accélère pas le perçage. Au contraire, elle risque d'endommager la pointe de l'embout-foret, d'affecter le rendement de l'outil et de raccourcir sa durée de service.

ATTENTION : Immobilisez toujours les pièces à travailler dans un étau ou un dispositif de retenue similaire.



Tenez l'outil fermement et mettez la pointe de l'embout-tournevis / l'embout à douille dans la tête de vis. Appliquez une pression vers l'avant sur l'outil, en évitant d'appuyer au point de faire glisser l'embout hors de la vis, et allumez l'outil pour commencer le travail.

AVIS : Si vous devez utiliser une batterie de rechange pour poursuivre le travail, laissez d'abord reposer l'outil pendant au moins 15 minutes.

AVIS : Utilisez l'embout adapté à la tête de la vis ou du boulon que vous souhaitez utiliser.

AVIS : Gardez l'outil pointé bien droit vers la vis.

AVIS : Si vous serrez la vis trop longtemps, la vis ou la pointe de l'embout-tournevis risque d'être soumise à une surcharge, de foirer, d'être endommagée, etc. Avant de commencer le travail, effectuez toujours un essai pour connaître le temps de serrage adéquat pour la vis.

AVIS : Si l'outil est utilisé de manière continue jusqu'à ce que la batterie soit déchargée, laissez-le reposer 15 minutes avant de poursuivre avec une batterie fraîche.

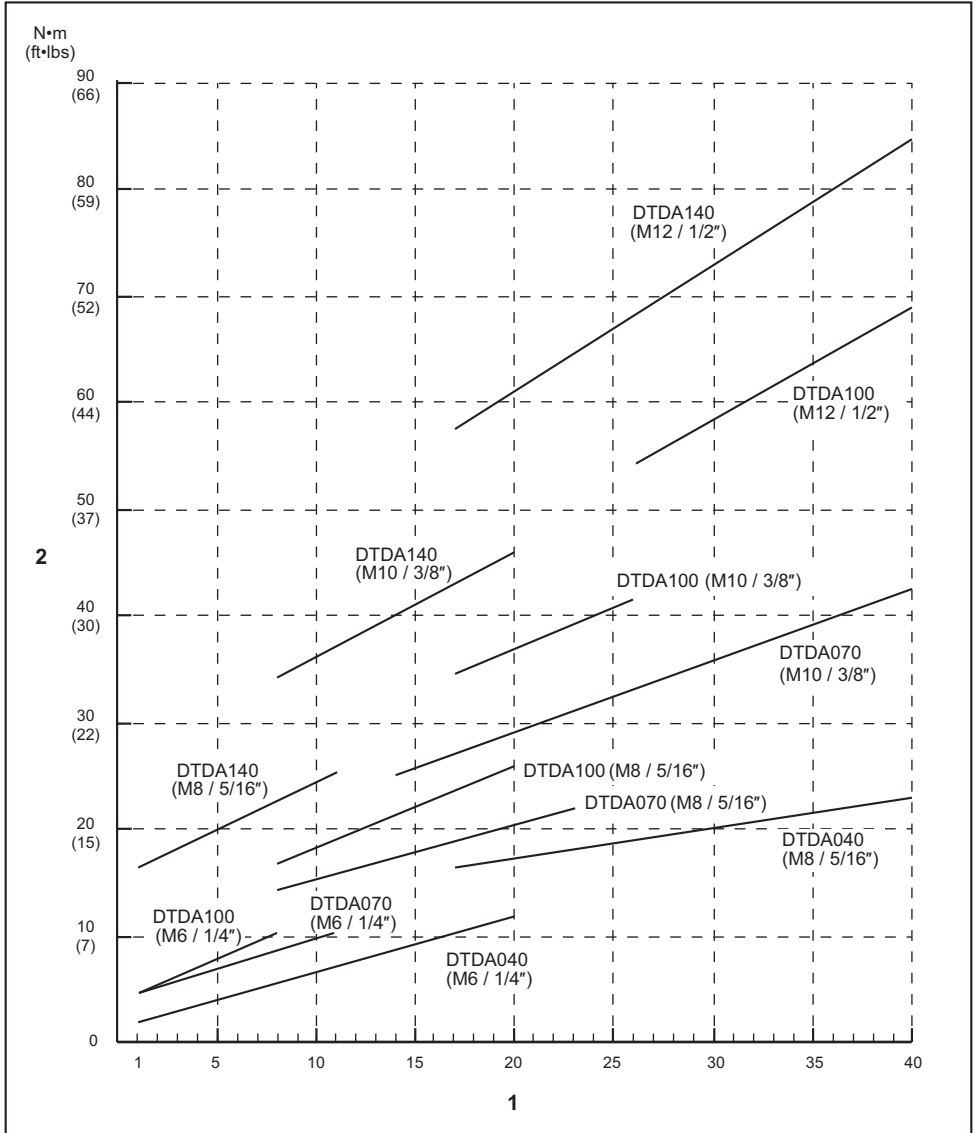
Le couple de serrage est affecté par une grande variété de facteurs, dont les suivants. Après le serrage, vérifiez toujours le couple de serrage à l'aide d'une clé dynamométrique.

1. Lorsque la batterie est presque complètement déchargée, la tension chute et le couple de serrage diminue.
2. Embout-tournevis ou embout à douille
L'utilisation d'un embout-tournevis ou d'un embout à douille de la mauvaise taille entraînera une réduction du couple de serrage.
3. Boulon
 - Même avec un coefficient de couple et une classe de boulon identiques, le couple de serrage adéquat variera selon le diamètre du boulon.
 - Même avec des diamètres de boulons identiques, le couple de serrage adéquat variera selon le coefficient de couple, la classe de boulon et la longueur de boulon.
4. L'utilisation d'un joint universel ou d'un adaptateur de douille réduit quelque peu la force de serrage de l'outil. Compensez en serrant plus longtemps.
5. Le type de matériau à serrer, la façon de tenir l'outil et la vitesse de l'outil affecteront le couple de serrage.
6. L'utilisation de l'outil à basse vitesse causera une diminution du couple de serrage.

Couple de serrage et niveau de couple

NOTE : Cette valeur de référence est mesurée selon les conditions de mesure spécifiées par Makita.

NOTE : La valeur réelle peut être différente selon les circonstances des fixations, des matériaux et de la méthode de fixation. Effectuez un essai d'entraînement avant d'effectuer le travail réel.



1. Niveau de couple 2. Couple de serrage

ENTRETIEN

⚠ ATTENTION : Assurez-vous toujours que l'outil est hors tension et que la batterie est retirée avant d'y effectuer tout travail d'inspection ou d'entretien.

AVIS : N'utilisez jamais d'essence, de benzine, de solvant, d'alcool ou autres produits similaires. Une décoloration, une déformation ou la formation de fissures peuvent en découler.

Pour maintenir la SÉCURITÉ et la FIABILITÉ du produit, les réparations et tout autre travail d'entretien ou de réglage doivent être effectués dans un centre de service après-vente autorisé ou une usine Makita, exclusivement avec des pièces de rechange Makita.

ACCESSOIRES EN OPTION

⚠ ATTENTION : Ces accessoires ou pièces complémentaires sont recommandés pour l'utilisation avec l'outil Makita spécifié dans ce manuel. L'utilisation de tout autre accessoire ou pièce complémentaire peut comporter un risque de blessure. N'utilisez les accessoires ou pièces complémentaires qu'aux fins auxquelles ils ont été conçus.

Si vous désirez obtenir plus de détails sur ces accessoires, veuillez contacter le centre de service après-vente Makita le plus près.

- Crochet
- Embouts-tournevis
- Protecteur (bleu, rouge, jaune, vert, transparent)
- Protecteur de batterie pour BL1460A
- Protecteur de batterie pour BL1415NA
- Chargeur Makita authentique
- Câble USB

NOTE : Certains éléments de la liste peuvent être inclus avec l'outil comme accessoires standards. Ils peuvent varier suivant les pays.

GARANTIE LIMITÉE MAKITA

Pour les conditions de garantie en vigueur qui s'appliquent à ce produit, veuillez vous reporter à la feuille de garantie en annexe. Si la feuille de garantie en annexe n'est pas disponible, reportez-vous aux détails de la garantie présentés sur le site Web de votre pays, ci-dessous.

États-Unis d'Amérique: www.makitatools.com

Canada: www.makita.ca

Autres pays: www.makita.com

ESPECIFICACIONES

Modelo:		DTDA040	DTDA070	DTDA100	DTDA140
Capacidades de apriete	Tornillo estándar	5 mm - 10 mm (3/16" - 3/8")	5 mm - 12 mm (3/16" - 1/2")		6 mm - 16 mm (1/4" - 5/8")
	Tornillo de alta resistencia	5 mm - 8 mm (3/16" - 5/16")	5 mm - 10 mm (3/16" - 3/8")		6 mm - 12 mm (1/4" - 1/2")
Torsión de apriete máxima		35 N•m (26 ft•lbs)	65 N•m (48 ft•lbs)	95 N•m (70 ft•lbs)	140 N•m (103 ft•lbs)
Rango de torsión		Aprox. 3 N•m - 20 N•m (aprox. 2 ft•lbs - 15 ft•lbs)	Aprox. 5 N•m - 40 N•m (aprox. 4 ft•lbs - 30 ft•lbs)	Aprox. 6 N•m - 65 N•m (aprox. 4 ft•lbs - 48 ft•lbs)	Aprox. 18 N•m - 80 N•m (aprox. 14 ft•lbs - 59 ft•lbs)
Velocidad sin carga (RPM)		0 r/min - 2 400 r/min	0 r/min - 2 500 r/min	0 r/min - 2 700 r/min	
Impactos por minuto		0 ipm - 3 700 ipm		0 ipm - 3 300 ipm	
Tensión nominal		14,4 V c.c.			
Longitud total		139 mm (5-1/2")		146 mm (5-3/4")	
Peso neto		1,1 kg - 1,4 kg (2,5 lbs - 3,0 lbs)		1,2 kg - 1,4 kg (2,7 lbs - 3,2 lbs)	1,2 kg - 1,5 kg (2,7 lbs - 3,2 lbs)
Cable USB compatible		661432-2			

- Debido a nuestro continuo programa de investigación y desarrollo, las especificaciones aquí incluidas están sujetas a cambio sin previo aviso.
- Las especificaciones pueden variar de país a país.
- El peso puede variar en función de los accesorios, incluido el cartucho de batería. En la tabla se muestra la combinación de peso más ligero y más pesado conforme al procedimiento 01/2014 de EPTA.

Cartucho de batería y cargador aplicables

Cartucho de batería	BL1415NA / BL1430B / BL1460A
Cargador	DC18RC / DC18RD / DC18RE / DC18SD / DC18SE / DC18SF / DC18SH

- Algunos de los cartuchos de batería y cargadores enumerados arriba podrían no estar disponibles dependiendo de su área de residencia.

⚠ ADVERTENCIA: Use únicamente los cartuchos de batería y los cargadores indicados arriba. El uso de cualquier otro cartucho de batería y cargador podría ocasionar una lesión y/o un incendio.

NOTA: Este equipo fue sometido a pruebas y se ha comprobado que cumple con los límites para un dispositivo digital Clase A, conforme a lo dispuesto en la parte 15 de las Normas de la FCC. Estos límites están diseñados para proporcionar una protección razonable contra una interferencia dañina cuando el equipo es operado en un entorno comercial. Este equipo genera, usa y puede irradiar energía de radiofrecuencia y, si no se instala y se usa de acuerdo con el manual de instrucciones, puede causar una interferencia dañina a las radiocomunicaciones. La operación de este equipo en un área residencial puede causar una interferencia dañina, en cuyo caso el usuario deberá corregir la interferencia por cuenta propia.

ADVERTENCIAS DE SEGURIDAD

Advertencias generales de seguridad para herramientas eléctricas

⚠️ ADVERTENCIA: Lea todas las advertencias de seguridad, instrucciones, ilustraciones y especificaciones suministradas con esta herramienta eléctrica. El no seguir todas las instrucciones indicadas a continuación podría ocasionar una descarga eléctrica, incendio y/o lesiones graves.

Conserve todas las advertencias e instrucciones como referencia en el futuro.

En las advertencias, el término "herramienta eléctrica" se refiere a su herramienta eléctrica de funcionamiento con conexión a la red eléctrica (con cableado eléctrico) o herramienta eléctrica de funcionamiento a batería (inalámbrica).

Seguridad en el área de trabajo

1. **Mantenga el área de trabajo limpia y bien iluminada.** Las áreas oscuras o desordenadas son propensas a accidentes.
2. **No utilice las herramientas eléctricas en atmósferas explosivas, tal como en la presencia de líquidos, gases o polvo inflamables.** Las herramientas eléctricas crean chispas que pueden prender fuego al polvo o los humos.
3. **Mantenga a los niños y curiosos alejados mientras utiliza una herramienta eléctrica.** Las distracciones le pueden hacer perder el control.

Seguridad eléctrica

1. **Las clavijas de conexión de las herramientas eléctricas deberán encajar perfectamente en la toma de corriente. No modifique nunca la clavija de conexión de ninguna forma. No utilice ninguna clavija adaptadora con herramientas eléctricas que tengan conexión a tierra (puesta a tierra).** La utilización de clavijas no modificadas y que encajen perfectamente en la toma de corriente reducirá el riesgo de que se produzca una descarga eléctrica.
2. **Evite tocar con el cuerpo superficies conectadas a tierra o puestas a tierra tales como tubos, radiadores, cocinas y refrigeradores.** Si su cuerpo es puesto a tierra o conectado a tierra existirá un mayor riesgo de que sufra una descarga eléctrica.
3. **No exponga las herramientas eléctricas a la lluvia ni a condiciones húmedas.** La entrada de agua en una herramienta eléctrica aumentará el riesgo de que se produzca una descarga eléctrica.
4. **No maltrate el cable. Nunca utilice el cable para transportar, jalar o desconectar la herramienta eléctrica. Mantenga el cable alejado del calor, aceite, objetos cortantes o piezas móviles.** Los cables dañados o enredados aumentan el riesgo de sufrir una descarga eléctrica.

5. **Cuando utilice una herramienta eléctrica en exteriores, utilice un cable de extensión apropiado para uso en exteriores.** La utilización de un cable apropiado para uso en exteriores reducirá el riesgo de que se produzca una descarga eléctrica.
6. **Si no es posible evitar usar una herramienta eléctrica en condiciones húmedas, utilice un alimentador protegido con interruptor de circuito de falla a tierra (ICFT).** El uso de un ICFT reduce el riesgo de descarga eléctrica.
7. **Las herramientas eléctricas pueden producir campos electromagnéticos (CEM) que no son dañinos para el usuario.** Sin embargo, si los usuarios tienen marcapasos y otros dispositivos médicos similares, deberán consultar al fabricante de su dispositivo y/o a su médico antes de operar esta herramienta eléctrica.

Seguridad personal

1. **Manténgase alerta, preste atención a lo que está haciendo y utilice su sentido común cuando opere una herramienta eléctrica. No utilice una herramienta eléctrica cuando esté cansado o bajo la influencia de drogas, alcohol o medicamentos.** Un momento de distracción mientras opera las herramientas eléctricas puede terminar en una lesión grave.
2. **Use equipo de protección personal. Póngase siempre protección para los ojos.** El equipo protector tal como máscara contra el polvo, zapatos de seguridad antiderrapantes, casco rígido y protección para oídos utilizado en las condiciones apropiadas reducirá el riesgo de lesiones.
3. **Impida el encendido accidental. Asegúrese de que el interruptor esté en la posición de apagado antes de conectar a la alimentación eléctrica y/o de colocar el cartucho de batería, así como al levantar o cargar la herramienta.** Cargar las herramientas eléctricas con su dedo en el interruptor o enchufarlas con el interruptor encendido hace que los accidentes sean comunes.
4. **Retire cualquier llave de ajuste o llave de apriete antes de encender la herramienta.** Una llave de ajuste o llave de apriete que haya sido dejada puesta en una parte giratoria de la herramienta eléctrica puede ocasionar alguna lesión.
5. **No utilice la herramienta donde no alcance. Mantenga los pies sobre suelo firme y el equilibrio en todo momento.** Esto permite un mejor control de la herramienta eléctrica en situaciones inesperadas.
6. **Use una vestimenta apropiada. No use ropa suelta ni alhajas. Mantenga el cabello, la ropa y los guantes alejados de las piezas móviles.** Las prendas de vestir holgadas, las alhajas y el cabello largo suelto podrían engancharse en estas piezas móviles.
7. **Si dispone de dispositivos para la conexión de equipos de extracción y recolección de polvo, asegúrese de conectarlos y utilizarlos debidamente.** Hacer uso de la recolección de polvo puede reducir los riesgos relacionados con el polvo.

8. **No permita que la familiaridad adquirida debido al uso frecuente de las herramientas haga que se sienta confiado e ignore los principios de seguridad de las herramientas.** Un descuido podría ocasionar una lesión grave en una fracción de segundo.
9. **Utilice siempre gafas protectoras para proteger sus ojos de lesiones al usar herramientas eléctricas. Las gafas deben cumplir con la Norma ANSI Z87.1 en EUA. Es responsabilidad del empleador imponer el uso de equipos protectores de seguridad apropiados a los operadores de la herramienta y demás personas cerca del área de trabajo.**

Mantenimiento y uso de la herramienta eléctrica

1. **No fuerce la herramienta eléctrica. Utilice la herramienta eléctrica correcta para su aplicación.** La herramienta eléctrica adecuada hará un mejor trabajo y de forma más segura a la velocidad para la que ha sido fabricada.
2. **No utilice la herramienta eléctrica si el interruptor no la enciende y apaga.** Cualquier herramienta eléctrica que no pueda ser controlada con el interruptor es peligrosa y debe ser reemplazada.
3. **Desconecte la clavija de la fuente de alimentación y/o retire la batería de la herramienta eléctrica, en caso de ser removible, antes de realizar ajustes, cambiar accesorios o almacenar las herramientas eléctricas.** Tales medidas de seguridad preventivas reducirán el riesgo de poner en marcha la herramienta eléctrica de forma accidental.
4. **Guarde la herramienta eléctrica que no use fuera del alcance de los niños y no permita que las personas que no están familiarizadas con ella o con las instrucciones la operen.** Las herramientas eléctricas son peligrosas en manos de personas que no saben operarlas.
5. **Dé mantenimiento a las herramientas eléctricas y los accesorios. Compruebe que no haya piezas móviles desalineadas o estancadas, piezas rotas y cualquier otra condición que pueda afectar al funcionamiento de la herramienta eléctrica. Si la herramienta eléctrica está dañada, haga que la reparen antes de utilizarla.** Muchos de los accidentes son ocasionados por no dar un mantenimiento adecuado a las herramientas eléctricas.
6. **Mantenga las herramientas de corte limpias y filosas.** Si recibe un mantenimiento adecuado y tiene los bordes afilados, es probable que la herramienta se atasque menos y sea más fácil controlarla.
7. **Utilice la herramienta eléctrica, los accesorios y las brocas de acuerdo con estas instrucciones, considerando las condiciones laborales y el trabajo a realizar.** Si utiliza la herramienta eléctrica para realizar operaciones distintas de las indicadas, podrá presentarse una situación peligrosa.
8. **Mantenga los mangos y superficies de asiento secos, limpios y libres de aceite o grasa.** Los mangos y superficies de asiento resbalosos no permiten una manipulación segura ni el control de la herramienta en situaciones inesperadas.

9. **Cuando vaya a utilizar esta herramienta, evite usar guantes de trabajo de tela ya que éstos podrían atorarse.** Si los guantes de trabajo de tela llegaran a atorarse en las piezas móviles, esto podría ocasionar lesiones personales.

Uso y cuidado de la herramienta a batería

1. **Recargue sólo con el cargador especificado por el fabricante.** Un cargador que es adecuado para un solo tipo de batería puede generar riesgo de incendio al ser utilizado con otra batería.
2. **Utilice las herramientas eléctricas solamente con las baterías designadas específicamente para ellas.** La utilización de cualquier otra batería puede crear un riesgo de lesiones o incendio.
3. **Cuando no se esté usando la batería, manténgala alejada de otros objetos metálicos, como sujetapapeles (clips), monedas, llaves, clavos, tornillos u otros objetos pequeños de metal los cuales pueden actuar creando una conexión entre las terminales de la batería.** Originar un cortocircuito en las terminales puede causar quemaduras o incendios.
4. **En condiciones abusivas, podrá escapar líquido de la batería; evite tocarlo. Si lo toca accidentalmente, enjuague con agua. Si hay contacto del líquido con los ojos, busque asistencia médica.** Puede que el líquido expulsado de la batería cause irritación o quemaduras.
5. **No utilice una herramienta ni una batería que estén dañadas o hayan sido modificadas.** Las baterías dañadas o modificadas podrían ocasionar una situación inesperada provocando un incendio, explosión o riesgo de lesiones.
6. **No exponga la herramienta ni la batería al fuego ni a una temperatura excesiva.** La exposición al fuego o a una temperatura superior a los 130 °C podría causar una explosión.
7. **Siga todas las instrucciones para la carga y evite cargar la herramienta o la batería fuera del rango de temperatura especificado en las instrucciones.** Una carga inadecuada o a una temperatura fuera del rango especificado podría dañar la batería e incrementar el riesgo de incendio.

Servicio

1. **Haga que una persona calificada repare la herramienta eléctrica utilizando sólo piezas de repuesto idénticas.** Esto asegura que se mantenga la seguridad de la herramienta eléctrica.
2. **Nunca dé servicio a baterías que estén dañadas.** El servicio a las baterías solamente deberá ser efectuado por el fabricante o un agente de servicio autorizado.
3. **Siga las instrucciones para la lubricación y cambio de accesorios.**
4. **No modifique ni intente reparar el aparato ni el paquete de baterías salvo como se indique en las instrucciones para el uso y cuidado.**

Advertencias de seguridad para el atornillador de impacto inalámbrico

1. Sujete la herramienta eléctrica por las superficies de agarre aisladas al realizar una operación en la que el sujetador pueda entrar en contacto con cables ocultos. Si el sujetador entra en contacto con un cable con corriente, las piezas metálicas expuestas de la herramienta eléctrica se cargarán también de corriente y el operario puede recibir una descarga.
2. Asegúrese siempre de que pisa sobre suelo firme. Asegúrese de que no haya nadie debajo cuando utilice la herramienta en lugares altos.
3. Sujete la herramienta con firmeza.
4. Póngase protectores de oídos.
5. No toque la broca o pieza de trabajo inmediatamente después de la operación. Podrían estar extremadamente calientes y provocarle una quemadura.
6. Mantenga las manos alejadas de las piezas giratorias.
7. Utilice los mango(s) auxiliare(s) que se suministren con la herramienta. La pérdida de control puede ocasionar lesiones.
8. Sujete la herramienta eléctrica por las superficies de agarre aisladas al realizar una operación en la que el accesorio de corte pueda estar en contacto con cables ocultos. Si el accesorio de corte entra en contacto con un cable con corriente, las piezas metálicas expuestas de la herramienta eléctrica se cargarán también de corriente y el operario podrá recibir una descarga eléctrica.
9. Asegúrese de que no haya cables eléctricos, tubos de agua, tubos de gas, etc. que pudieran representar un peligro en caso de ser dañados por el uso de la herramienta.


GUARDE ESTAS INSTRUCCIONES.

⚠️ ADVERTENCIA: NO DEJE que la comodidad o familiaridad con el producto (a base de utilizarlo repetidamente) evite que siga estrictamente las normas de seguridad para dicho producto.

EL USO INCORRECTO o el no seguir las normas de seguridad indicadas en este manual de instrucciones puede ocasionar lesiones graves.

Símbolos

A continuación se muestran los símbolos utilizados para la herramienta.

v	volts o voltios
—	corriente directa o continua
n_o	velocidad sin carga
... /min r /min	revoluciones o alternaciones por minuto, frecuencia de rotación
	número de percusiones

Instrucciones importantes de seguridad para el cartucho de batería

1. Antes de utilizar el cartucho de batería, lea todas las instrucciones e indicaciones de precaución en el (1) el cargador de batería, (2) la batería, y (3) el producto con el que se utiliza la batería.
2. No desarme ni modifique el cartucho de batería. Podría ocurrir un incendio, calor excesivo o una explosión.
3. Si el tiempo de operación se ha acortado en exceso, deje de operar de inmediato. Podría correrse el riesgo de sobrecalentamiento, posibles quemaduras e incluso explosión.
4. En caso de que ingresen electrolitos en sus ojos, enjuáguelos bien con agua limpia y consulte de inmediato a un médico. Esto podría ocasionar pérdida de visión.
5. Evite cortocircuitar el cartucho de batería:
 - (1) No toque las terminales con ningún material conductor.
 - (2) Evite guardar el cartucho de batería en un cajón junto con otros objetos metálicos, tales como clavos, monedas, etc.
 - (3) No exponga el cartucho de batería al agua o la lluvia.

Un cortocircuito en la batería puede causar un flujo grande de corriente, sobrecalentamiento, posibles quemaduras e incluso una descompostura.
6. No guarde ni utilice la herramienta y el cartucho de batería en lugares donde la temperatura pueda alcanzar o exceder los 50 °C (122 °F).
7. Nunca incinere el cartucho de batería incluso en el caso de que esté dañado seriamente o ya no sirva en absoluto. El cartucho de batería puede explotar si se tira al fuego.
8. No clave, corte, aplaste, lance o deje caer el cartucho de batería, ni golpee un objeto sólido contra el cartucho de batería. Dicha acción podría resultar en un incendio, calor excesivo o en una explosión.
9. No use una batería dañada.
10. Las baterías de ión de litio están sujetas a los requisitos reglamentarios en materia de bienes peligrosos.

Para el transporte comercial, por ej., mediante terceros o agentes de transporte, se deben tomar en cuenta los requisitos especiales relativos al empaque y el etiquetado.

Para efectuar los preparativos del artículo que se va a enviar, se requiere consultar a un experto en materiales peligrosos. Si es posible, consulte además otras regulaciones nacionales más detalladas. Pegue o cubra con cinta adhesiva los contactos abiertos y empaque la batería de manera que ésta no pueda moverse dentro del paquete.
11. Para deshacerse del cartucho de batería, sáquelo de la herramienta y deséchelo en un lugar seguro. Siga las regulaciones locales relacionadas al desecho de las baterías.

12. **Utilice las baterías únicamente con los productos especificados por Makita.** Instalar las baterías en productos que no cumplan con los requisitos podría ocasionar un incendio, un calentamiento excesivo, una explosión o una fuga de electrolito.
13. **Si no se utiliza la herramienta por un período largo, debe extraerse la batería de la herramienta.**
14. **El cartucho de batería podría absorber calor durante y después de su uso, lo que ocasionaría quemaduras o quemaduras a baja temperatura.** Tenga cuidado con la manipulación de los cartuchos de batería que estén calientes.
15. **No toque el terminal de la herramienta inmediatamente después de su uso, ya que el mismo podría estar lo suficientemente caliente como para provocarle quemaduras.**
16. **No permita que las rebabas, el polvo o la tierra queden atrapados en los terminales, orificios y ranuras del cartucho de batería.** Esto podría ocasionar un desempeño deficiente o descomposición de la herramienta o del cartucho de batería.
17. **No utilice el cartucho de batería cerca de cables eléctricos de alto voltaje, a menos que la herramienta sea compatible con el uso cercano a estos cables eléctricos de alto voltaje.** Esto podría ocasionar una avería o descomposición de la herramienta o del cartucho de batería.
18. **Mantenga la batería alejada de los niños.**

GUARDE ESTAS INSTRUCCIONES.

⚠PRECAUCIÓN: Utilice únicamente baterías originales de Makita. El uso de baterías no originales de Makita, o de baterías alteradas, puede ocasionar que las baterías exploten causando un incendio, lesiones personales y daños. Asimismo, esto invalidará la garantía de Makita para la herramienta y el cargador Makita.

Consejos para alargar al máximo la vida útil de la batería

1. **Cargue el cartucho de batería antes de que se descargue completamente. Pare siempre la operación y cargue el cartucho de batería cuando note menos potencia en la herramienta.**
2. **No cargue nunca un cartucho de batería que esté completamente cargado. La sobrecarga acortará la vida de servicio de la batería.**
3. **Cargue el cartucho de batería a una temperatura ambiente de 10 °C - 40 °C (50 °F - 104 °F). Si un cartucho de batería está caliente, déjelo enfriar antes de cargarlo.**
4. **Cuando no utilice el cartucho de batería, sáquelo de la herramienta o del cargador.**
5. **Cargue el cartucho de batería si no va a utilizarlo durante un período prolongado (más de seis meses).**

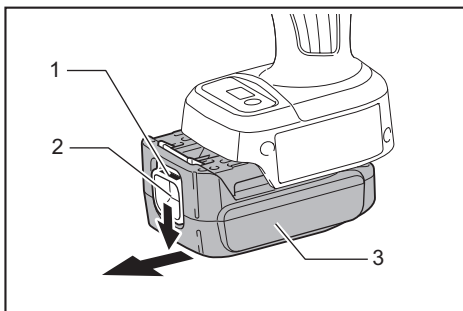
DESCRIPCIÓN DEL FUNCIONAMIENTO

⚠PRECAUCIÓN: Asegúrese siempre de que la herramienta esté apagada y el cartucho de batería haya sido extraído antes de realizar cualquier ajuste o comprobación en la herramienta.

Instalación o extracción del cartucho de batería

⚠PRECAUCIÓN: Apague siempre la herramienta antes de colocar o quitar el cartucho de batería.

⚠PRECAUCIÓN: Sujete la herramienta y el cartucho de la batería con firmeza al colocar o quitar el cartucho de batería. Si no se sujeta con firmeza la herramienta y el cartucho de batería, puede ocasionar que se resbalen de sus manos causando daños a la herramienta y al cartucho de batería, así como lesiones a la persona.



► 1. Indicador rojo 2. Botón 3. Cartucho de batería

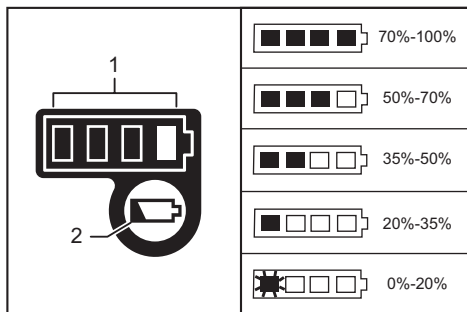
Para quitar el cartucho de batería, deslícelo de la herramienta mientras desliza el botón sobre la parte delantera del cartucho.

Para instalar el cartucho de batería, alinee la lengüeta sobre el cartucho de batería con la ranura en la carcasa y deslícela hasta su lugar. Insértelo por completo hasta que se fije en su lugar con un pequeño clic. Si puede ver el indicador rojo como se muestra en la ilustración, este no ha quedado asegurado por completo.

⚠PRECAUCIÓN: Introduzca siempre completamente el cartucho de batería hasta que el indicador rojo no pueda verse. Si no, podría accidentalmente salirse de la herramienta y caer al suelo causando una lesión a usted o alguien a su alrededor.

⚠PRECAUCIÓN: No instale el cartucho de batería a la fuerza. Si el cartucho no se desliza al interior fácilmente, se debe a que no está siendo insertado correctamente.

Verificación de la capacidad de carga restante de la batería. (BL1460A)



► 1. Luces indicadoras 2. Botón de verificación

NOTA: Dependiendo de las condiciones de uso y la temperatura ambiente, la indicación podrá diferir ligeramente de la capacidad real.

Durante la carga

Quando se inicia la carga, la primera luz indicadora (la última de la izquierda) comienza a destellar. Luego, a medida que la carga avanza, las otras luces se van encendiendo de a una indicando que se va completando la capacidad de carga.

NOTA: Si la luz indicadora no se enciende ni parpadea durante la carga, la batería podría estar defectuosa. En este caso, consulte al centro de servicio de su localidad.

Durante el uso

Quando la herramienta se encienda, las luces se iluminarán para indicar la capacidad restante de la batería. Quando la herramienta se apague, la luz se apagará aproximadamente 5 segundos después.

Al oprimir el botón de verificación con la herramienta apagada, las luces indicadoras se encenderán durante aproximadamente 5 segundos para mostrar la capacidad de la batería.

Quando la luz naranja parpadee, la herramienta se detendrá debido a la poca capacidad restante de la batería (mecanismo de parada automática). En este momento, cargue el cartucho de batería o utilice un cartucho de batería cargado.

Si la herramienta se usa con una batería que no haya sido utilizada durante un tiempo prolongado, podría ser que ninguna de las luces se iluminara al momento de encenderla. En este momento, la herramienta se detendrá debido a la poca capacidad restante de la batería. Cargue la batería correctamente.

Sistema de protección para la herramienta/batería

La herramienta está equipada con un sistema de protección de la herramienta/batería. Este sistema corta en forma automática el suministro de energía al motor para prolongar la vida útil de la herramienta y la batería. La herramienta se detendrá automáticamente durante la operación si la herramienta o la batería se someten a una de las siguientes condiciones:

Protección contra sobrecarga

Quando la herramienta/batería sea operada de tal forma que cause que use una cantidad de corriente anormalmente alta, la herramienta se detendrá automáticamente. En esta situación, apague la herramienta y detenga la aplicación que haya causado que la herramienta se sobrecargara. Luego encienda la herramienta para reiniciarla.

Protección contra sobrecalentamiento

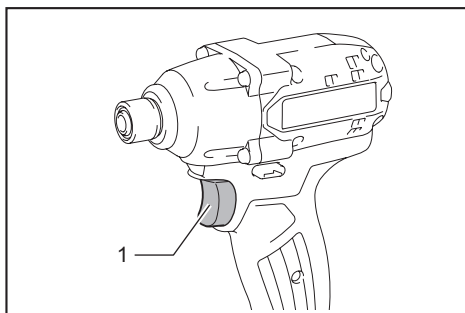
Quando la herramienta/batería se sobrecaliente, la herramienta se detendrá automáticamente. En este caso, permita que la herramienta/batería se enfríe antes de volver a encender la herramienta.

Protección en caso de sobredescarga

Quando la capacidad de la batería no es suficiente, la herramienta se detiene automáticamente. En este caso, retire la batería de la herramienta y cárguela.

Accionamiento del interruptor

PRECAUCIÓN: Antes de insertar el cartucho de batería en la herramienta, compruebe siempre y cerciórese de que el gatillo interruptor se acciona debidamente y que vuelve a la posición apagado cuando lo suelta.



► 1. Gatillo interruptor

Para arrancar la herramienta, simplemente jale el gatillo interruptor. La velocidad de la herramienta aumenta al incrementar la presión en el gatillo interruptor. Para detener la herramienta, suelte el gatillo interruptor.

NOTA: La herramienta se detiene automáticamente si continúa jalando el gatillo interruptor alrededor de 3 minutos.

Freno eléctrico

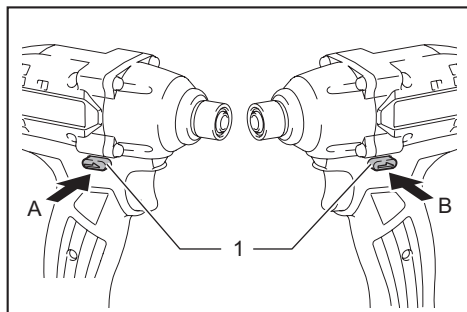
La herramienta está equipada con un freno eléctrico. Si la herramienta falla constantemente en detenerse tras soltar el gatillo interruptor, lleve la herramienta a mantenimiento a un centro de servicio Makita.

Accionamiento del interruptor de inversión de giro

PRECAUCIÓN: Confirme siempre la dirección de rotación antes de la operación.

PRECAUCIÓN: Utilice el interruptor de inversión solamente después de que la herramienta haya parado completamente. Si cambia la dirección de rotación antes de que la herramienta se haya detenido, esto podría dañar la herramienta.

PRECAUCIÓN: Cuando no esté utilizando la herramienta, ponga siempre la palanca del interruptor de inversión en la posición neutral.

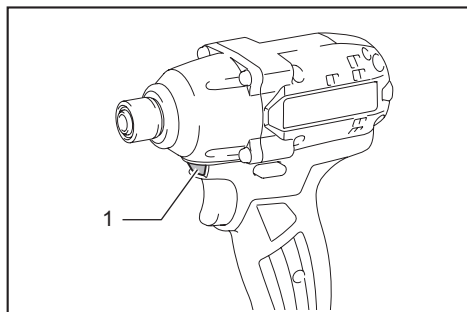


► 1. Palanca del interruptor de inversión

Esta herramienta cuenta con un interruptor de inversión para cambiar la dirección de la rotación. Presione la palanca del interruptor de inversión desde el lado A para una rotación en sentido de las manecillas del reloj o desde el lado B, para una rotación en sentido inverso al de las manecillas del reloj.

Cuando la palanca del interruptor de inversión esté en la posición neutral, no se podrá jalar el gatillo interruptor.

Iluminación de la luz delantera



► 1. Luz

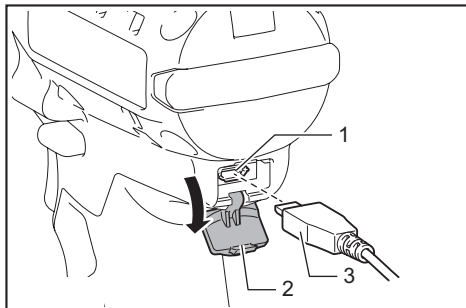
PRECAUCIÓN: No mire a la luz ni vea a la fuente de luz directamente.

Jale el gatillo interruptor para encender la luz. La luz continúa iluminándose mientras se está jalando el gatillo interruptor. La luz se apaga aproximadamente 10 segundos tras haber liberado el gatillo interruptor.

NOTA: Utilice un paño seco para quitar la suciedad de la lente de la lámpara. Tenga cuidado de no rayar la lente de la lámpara ya que la iluminación podría disminuir.

Cambio del ajuste de parámetro en la computadora

Puede configurar ajustes detallados de la herramienta con el programa de la aplicación “Configuración de Herramientas Industriales Makita”. Instale el programa de la aplicación en la computadora y conecte la herramienta a la computadora con un cable USB. Consulte el manual de instrucciones del programa “Configuración de Herramientas Industriales Makita” para detalles sobre la configuración.



► 1. Puerto USB 2. Cubierta USB 3. Cable USB

AVISO: Asegúrese de que la cubierta USB esté cerrada cuando vaya a efectuar el apriete.

NOTA: Cuando la palanca del interruptor de inversión se oprime en una rotación en el sentido de las manecillas del reloj, el indicador muestra el ajuste de la rotación en el sentido de las manecillas del reloj.

Cuando la palanca del interruptor de inversión se oprime en una rotación en el sentido contrario a las manecillas del reloj, el indicador muestra el ajuste de la rotación en el sentido contrario a las manecillas del reloj.

NOTA: Use el número preestablecido como guía. Para conservar la torsión de apriete, el número de impactos cambia automáticamente de acuerdo con la capacidad restante de la batería.

NOTA: Utilice el cable USB original de Makita para conectar su computadora a la herramienta. Consulte la sección “ESPECIFICACIONES”.

NOTA: Para lo relativo al programa de la aplicación, póngase en contacto con un representante de ventas de Makita.

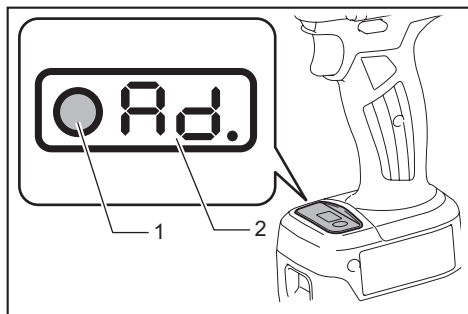
Cambio del ajuste de parámetro en la herramienta (modo de ajuste de campo)

AVISO: Esta función está disponible de manera predeterminada. Si ha deshabilitado el modo de ajuste de campo en la computadora, habilite esta función de antemano. Consulte el manual de instrucciones del programa “Configuración de Herramientas Industriales Makita” para detalles sobre cómo configurar.

AVISO: Si el modo de ajuste de campo está deshabilitado, realizar ajustes a la herramienta no será posible. Cuando presiona el botón de ajuste, los valores establecidos en la herramienta se muestran en orden.

El número de ajuste actual se muestra en el indicador.

Cada vez que presiona el botón de ajuste, el indicador muestra el nivel de torsión, el nivel de desaceleración, el intervalo de tiempo de trabajo disponible y “Ad”.



► 1. Botón de ajuste 2. Indicador

Usted puede cambiar los siguientes ajustes de parámetros en su herramienta:

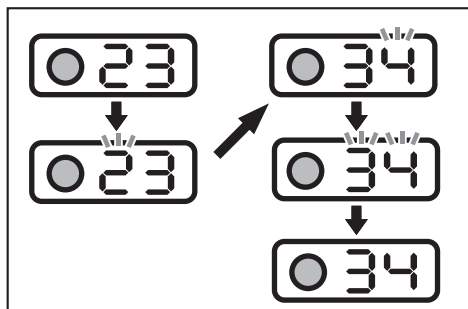
- Ajuste de parada automática / modo libre

Elemento de ajuste	Despliegue en el indicador	Descripción
Nivel de torsión	01 - 40 FF OP	El nivel de torsión en el cual funciona el modo de parada automática del apriete
Nivel de desaceleración	L1 - L7 OP	La sensibilidad del asiento del sujetador
Intervalo de tiempo de trabajo disponible	Lo: 0.1 - 9.9 Hi: 0.1 - 9.9 --	La duración más corta/más larga de la rotación cuando continúa jalando el gatillo interruptor.

AVISO: Si se muestra “OP” (modo de parada automática del desapriete) en el indicador, el ajuste del nivel de torsión y el ajuste del nivel de desaceleración no están disponibles. En este caso, cambie el modo al modo de parada automática del apriete, y luego establezca el nivel de torsión y el nivel de desaceleración en la computadora usando “Configuración de Herramientas Industriales Makita”.

Cambio del nivel de torsión

Cuando cambie el nivel de torsión de 23 a 34



1. Oprima el botón de ajuste varias veces hasta que el indicador muestre un número de 2 dígitos que representa el ajuste actual del nivel de torsión.

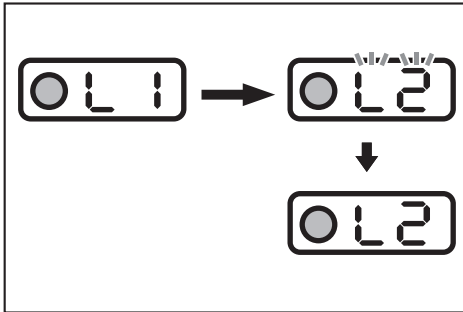
2. Oprima y sostenga el botón de ajuste hasta que el número en el lugar de las decenas empiece a parpadear.
3. Elija el número en el lugar de las decenas al oprimir el botón de ajuste brevemente. Cada vez que presiona el botón de ajuste, el indicador muestra el número de “0” a “4” y “F” en un ciclo.
4. Oprima y sostenga el botón de ajuste hasta que el número en el lugar de las unidades empiece a parpadear.
5. Elija el número en el lugar de las unidades al oprimir el botón de ajuste brevemente. Cada vez que presiona el botón de ajuste, el indicador muestra el número de “0” a “9” y “F” en un ciclo.
6. Oprima y deje sostenido el botón de ajuste durante unos cuantos segundos.

NOTA: Si no está seguro de qué nivel de torsión es adecuado para su trabajo, configure “FF” para que la herramienta funcione en el modo libre.

NOTA: Si ingresa “00”, se muestra “FF” en lugar de “00”.

Cambio del nivel de desaceleración

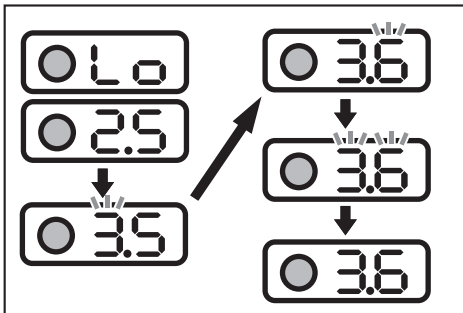
Quando cambie el nivel de desaceleración de L1 a L2



1. Oprima el botón de ajuste varias veces hasta que el indicador muestre 2 caracteres que comienzan con "L" seguido de un número. Esto representa el ajuste actual del nivel de desaceleración.
2. Oprima y sostenga el botón de ajuste hasta que el indicador empiece a parpadear.
3. Fije el nivel de desaceleración. Cada vez que presiona el botón de ajuste, el indicador muestra de "L1" a "L7" en un ciclo. El nivel de desaceleración más bajo es "L1" y "L7" es el más alto.
4. Oprima y deje sostenido el botón de ajuste durante unos cuantos segundos.

Cambio del intervalo de tiempo de trabajo disponible más corto

Quando cambie el intervalo de tiempo de trabajo disponible más corto de 2.5 a 3.6



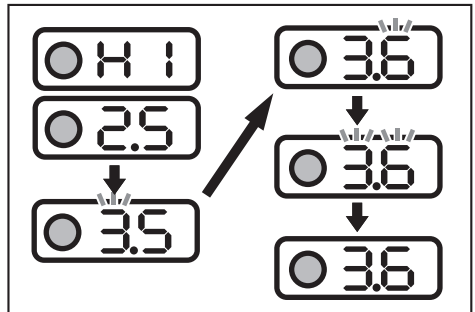
1. Oprima el botón de ajuste varias veces hasta que el indicador muestre "Lo" y un número alternativamente. Esto representa el ajuste actual del intervalo de tiempo de trabajo disponible más corto.
2. Oprima y sostenga el botón de ajuste hasta que el número en el lugar de las unidades empiece a parpadear.
3. Elija el número en el lugar de las unidades al oprimir el botón de ajuste brevemente. Cada vez que presiona el botón de ajuste, el indicador muestra el número de "0" a "9" en un ciclo.
4. Oprima y sostenga el botón de ajuste hasta que el número en el lugar de las decenas empiece a parpadear.

5. Elija el número en el lugar de las decenas al oprimir el botón de ajuste brevemente. Cada vez que presiona el botón de ajuste, el indicador muestra el número de "0" a "9" en un ciclo.
6. Oprima y deje sostenido el botón de ajuste durante unos cuantos segundos.

NOTA: Cuando establece un valor más pequeño que "0.1" para el intervalo de tiempo de trabajo disponible más corto, el indicador muestra "-.-" y el intervalo de tiempo de trabajo disponible más corto se deshabilita. Para ingresar "-.-", ponga el valor en "0.9" y luego oprima el botón de ajuste cuando el número en el lugar de las unidades parpadee.

Cambio del intervalo de tiempo de trabajo disponible más largo

Quando cambie el tiempo de trabajo disponible más largo de 2.5 a 3.6



1. Oprima el botón de ajuste varias veces hasta que el indicador muestre "H1" y un número alternativamente. Esto representa el ajuste actual del intervalo de tiempo de trabajo disponible más largo.
2. Oprima y sostenga el botón de ajuste hasta que el número en el lugar de las unidades empiece a parpadear.
3. Elija el número en el lugar de las unidades al oprimir el botón de ajuste brevemente. Cada vez que presiona el botón de ajuste, el indicador muestra el número de "0" a "9" en un ciclo.
4. Oprima y sostenga el botón de ajuste hasta que el número en el lugar de las decenas empiece a parpadear.
5. Elija el número en el lugar de las decenas al oprimir el botón de ajuste brevemente. Cada vez que presiona el botón de ajuste, el indicador muestra el número de "0" a "9" en un ciclo.
6. Oprima y deje sostenido el botón de ajuste durante unos cuantos segundos.

NOTA: Cuando establece un valor mayor a "9.9" para el intervalo de tiempo de trabajo disponible más largo, el indicador muestra "-.-" y el intervalo de tiempo de trabajo disponible más largo se deshabilita. Para ingresar "-.-", ponga el valor en "9.9" y luego oprima el botón de ajuste cuando el número en el lugar de las unidades parpadee.

Medición de una operación real (Autodiagnóstico)

AVISO: Esta función está disponible de manera predeterminada. Si ha deshabilitado el modo de ajuste de campo en la computadora, habilite esta función de antemano. Consulte el manual de instrucciones del programa “Configuración de Herramientas Industriales Makita” para detalles sobre cómo configurar.

Puede medir el nivel de torsión y el tiempo de operación de una operación real al hacer funcionar la herramienta. El nivel de torsión y el tiempo medidos se pueden utilizar para lo siguiente, entre otros:

- Reproducir una técnica de control de la torsión de un trabajador especializado, y
- Un punto de referencia temporal para el ajuste actual del intervalo de tiempo de trabajo disponible más corto/más largo.

Medición del nivel de torsión y del tiempo de operación

1. Oprima el botón de ajuste varias veces hasta que aparezca “Ad.” en el indicador.
2. Oprima y sostenga el botón de ajuste hasta que el indicador muestre “Ch”.
3. Realice la operación para la cual desee medir el tiempo de operación.
 - Si ha configurado el nivel de torsión, opere la herramienta hasta que se detenga en el modo de parada automática del apriete.
 - Si aún no ha configurado el nivel de torsión (modo libre), opere la herramienta como sea necesario.
4. Verifique el resultado medido. Oprima el botón de ajuste una vez para mostrar el nivel de torsión real y oprímalo una vez más para desplegar el tiempo de operación real. Cada vez que presiona el botón de ajuste, el indicador muestra “Ch”, el número del nivel de torsión real, así como el número del tiempo de operación real en un ciclo.
5. Oprima y sostenga el botón de ajuste para salir del autodiagnóstico.

NOTA: El modo de parada automática del apriete funciona incluso en el autodiagnóstico. Si desea medir el nivel de torsión sin limitación, configure el nivel de torsión “FF” (modo libre) y realice los procedimientos anteriores.

NOTA: Si aparece “-.-” en el indicador, el impacto no funcionó o el nivel de torsión es mayor a 40. Si aparece “-.-” en el indicador, el tiempo de operación superó los 9,9 segundos.

- En caso de que el impacto no funcione: Repetir la medición del nivel de torsión con un tiempo de trabajo disponible más largo.
- En caso de que el nivel de torsión sea mayor a 40: La herramienta no puede medir el nivel de torsión. Utilice la herramienta con un rango de torsión más alto si está disponible.
- En caso de que el tiempo de operación supere los 9,9 segundos, el intervalo de tiempo de trabajo disponible no estará disponible.

Ejemplo de medición:

Si configura el ajuste a continuación, podrá leer el estado de la herramienta.

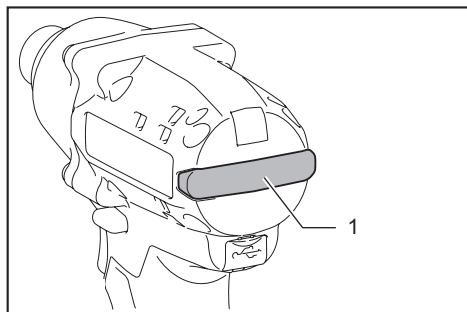
Caso 1

Elemento de ajuste	Ajuste de la herramienta	Resultado medido	Diagnóstico
Nivel de torsión	23	20	La herramienta se detiene mediante el ajuste del intervalo de tiempo de trabajo más largo (3,5 segundos) antes de que alcance el ajuste del modo de parada automática del apriete (nivel de torsión 23).
Intervalo de tiempo de trabajo disponible	más corto: 2,5 segundos más largo: 3,5 segundos	3,5	

Caso 2

Elemento de ajuste	Ajuste de la herramienta	Resultado medido	Diagnóstico
Nivel de torsión	23	23	La herramienta se detiene mediante el modo de parada automática del apriete (nivel de torsión 23) antes de que alcance el ajuste del intervalo de tiempo de trabajo disponible más largo (3,5 segundos).
Intervalo de tiempo de trabajo disponible	más corto: 2,5 segundos más largo: 3,5 segundos	3	

Indicador LED/alerta sonora



► 1. Indicador LED

El indicador LED/alerta sonora en la herramienta muestra las siguientes funciones.

Alarma núm.	Función	Estado de la herramienta	Estado del indicador LED/alerta sonora		Acción a tomar
			Indicador LED	Alerta sonora	
E0	Error de instalación de la batería	Si el cartucho de batería ha sido instalado habiendo jalado el gatillo interruptor, la herramienta se detiene para evitar un arranque accidental.	Parpadea en rojo y en verde de manera alterna.	Emite una serie de pitidos largos	Instale el cartucho de batería con el gatillo interruptor sin apretar.
E1	Parada automática	La potencia de la batería se ha reducido y es momento de reemplazar el cartucho de batería.	Parpadea en rojo y en verde de manera alterna.	Emite una serie de pitidos largos	Reemplace la batería con una totalmente cargada.
E2	Antirrestablecimiento del controlador	El voltaje de la batería se ha reducido de manera anormal por alguna razón y la herramienta se ha detenido.	Parpadea en rojo y en verde de manera alterna.	Emite una serie de pitidos largos	Reemplace la batería con una totalmente cargada.
E3	Parada automática con baja capacidad restante de la batería	La potencia de la batería se ha agotado casi por completo y la herramienta se ha detenido.	Se ilumina en rojo.	Emite un pitido largo.	Reemplace la batería con una totalmente cargada.
E4	Protección contra sobrecarga	Se sobrecargó la herramienta y se detuvo.	Parpadea en rojo y en verde de manera alterna.	Emite una serie de pitidos largos	Elimine la causa de la sobrecarga y luego vuelva a arrancar la herramienta. Solicite la reparación en el centro de servicio Makita de su localidad.
E5	Protección contra sobrecalentamiento	El controlador de la herramienta se ha calentado de manera anormal y la herramienta se ha detenido.	Parpadea en rojo rápidamente.	Emite una serie de pitidos largos	Retire el cartucho de batería inmediatamente y deje enfriar la herramienta.
E6	Bloqueo del motor	El motor ha sido bloqueado. En este momento la herramienta no funciona.	Parpadea en rojo y en verde de manera alterna.	Emite una serie de pitidos largos	Suelte el gatillo interruptor y apriételo nuevamente.

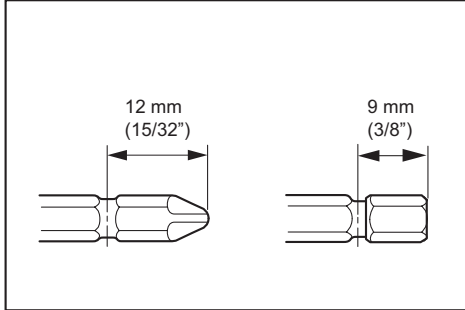
Alarma núm.	Función	Estado de la herramienta	Estado del indicador LED/alerta sonora		Acción a tomar
			Indicador LED	Alerta sonora	
E7	Falla del motor	La herramienta detectó una falla del motor. En este momento la herramienta no funciona.	Parpadea en rojo y en verde de manera alterna.	Emite una serie de pitidos largos	Solicite la reparación en el centro de servicio Makita de su localidad.
E8	Falla del interruptor	La herramienta detectó una falla del interruptor.	Parpadea en rojo y en verde de manera alterna.	Emite una serie de pitidos largos	Solicite la reparación en el centro de servicio Makita de su localidad.
E9	Alarma por un período prolongado de uso	La herramienta ha estado encendida por un tiempo prolongado (3 minutos aproximadamente).	Parpadea en rojo y en verde de manera alterna.	Emite un pitido largo.	Suelte el gatillo interruptor y apriételo nuevamente.
-	Parada automática con apriete efectuado	La torsión de apriete preconfigurada se ha alcanzado y la herramienta se ha detenido.	Se ilumina en verde durante aproximadamente un segundo.	-	-
-	Alarma de apriete insuficiente	La torsión de apriete preconfigurada no se ha alcanzado debido a que el gatillo interruptor se soltó antes de efectuarse el apriete.	Se ilumina en verde durante aproximadamente un segundo.	Emite un pitido largo.	Vuelva a apretar el sujetador.
-	Alarma de límite de la capacidad de apriete	-	Parpadea en rojo rápidamente.	Emite una serie de pitidos largos	Reemplace la batería con una totalmente cargada.
-	Alarma de mantenimiento	El número de accionamientos se ha alcanzado de acuerdo con su número preconfigurado para el mantenimiento.	Parpadea en amarillo.	-	Vuelva a configurar la alarma con el programa de la aplicación.
-	Alarma por falta de comunicación con la PC	No hay comunicación de datos mientras la herramienta está conectada a la PC.	Parpadea en amarillo.	-	Reinicie el programa de la aplicación y vuelva a conectar el cable USB.
-	Indicación de que la herramienta se puede comunicar con la PC	La herramienta está conectada a la PC y es capaz de comunicarse con la misma.	Parpadea en verde.	-	-
-	Verifique la lámpara y la alerta sonora (cuando se instale el cartucho de batería)	La herramienta ejecuta la prueba de operación para el indicador LED (en verde/rojo), la luz y la alerta sonora.	El indicador LED se iluminará en verde y luego se pondrá en rojo. Después de esto, la luz se enciende por un tiempo.	Emite una serie de pitidos muy cortos.	-

ENSAMBLADO

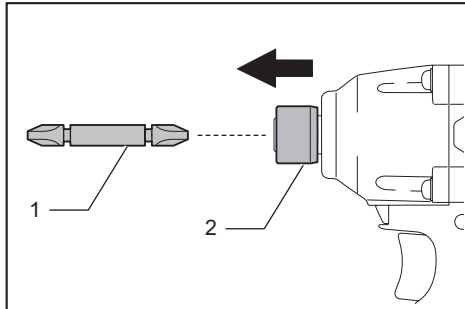
⚠PRECAUCIÓN: Asegúrese siempre de que la herramienta esté apagada y el cartucho de batería haya sido extraído antes de realizar cualquier trabajo en la misma.

Instalación o extracción de la punta de destornillador/punta de atornillar

Accesorio opcional



Utilice únicamente la punta de destornillador/punta de atornillar que se muestra en la figura. No utilice ninguna otra punta de destornillador/punta de atornillar.



► 1. Punta para atornillar 2. Mandril

Para instalar la punta para atornillar/punta intercambiable, jale el mandril en dirección de la flecha e inserte la punta para atornillar/punta intercambiable en el mandril hasta donde sea posible. Luego suelte el mandril para asegurar la punta para atornillar/punta intercambiable.

Para quitar la punta para atornillar/punta intercambiable, jale el mandril en dirección de la flecha y jale la punta para atornillar/punta intercambiable hacia afuera.

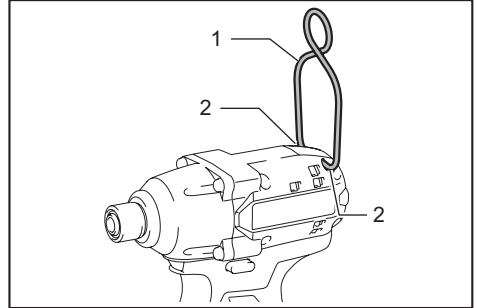
NOTA: Si la punta para atornillar/punta intercambiable no se encuentra insertada hasta el fondo en el mandril, éste no regresará a su posición original y la punta para atornillar/punta intercambiable no quedará asegurada. En este caso, procure insertar la punta para atornillar/punta intercambiable nuevamente siguiendo las instrucciones de arriba.

NOTA: Tras insertar la punta para atornillar/punta intercambiable, asegúrese de que quede firmemente afianzada. Si se llega a salir, no la utilice.

Instalación del gancho

Accesorio opcional

El gancho resulta útil para colgar la herramienta. Instale el gancho en los orificios del cuerpo de la herramienta.

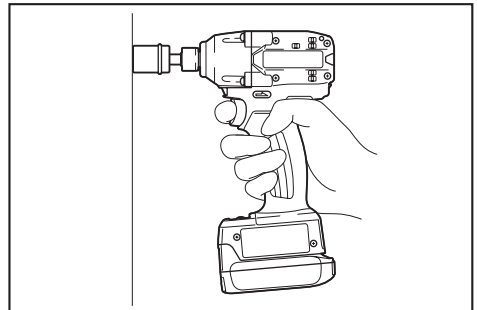


► 1. Gancho 2. Orificio

OPERACIÓN

⚠PRECAUCIÓN: Ejercer una presión excesiva sobre la herramienta no hará que consiga taladrar más rápido. De hecho, una presión excesiva sólo logrará dañar la punta de la broca de taladro, reducir el desempeño y acortar la vida útil de la herramienta.

⚠PRECAUCIÓN: Asegure siempre las piezas de trabajo con un tornillo de banco o dispositivo de sujeción similar.



Sujete la herramienta firmemente y coloque la punta para atornillar/punta intercambiable en la cabeza del tornillo. Aplique presión frontal a la herramienta de manera que la broca no se deslice del tornillo y encienda la herramienta para comenzar la operación.

AVISO: Si está utilizando una batería de repuesto para continuar la operación, deje de usar la herramienta por lo menos 15 min.

AVISO: Utilice la broca apropiada para la cabeza del tornillo/perno que desee utilizar.

AVISO: Sujete la herramienta dirigida en línea recta al tornillo.

AVISO: Si aprieta el tornillo por un largo tiempo, el tornillo o la punta de la punta para atornillar pueden sobrecargarse, barrerse, dañarse, etc. Antes de comenzar su trabajo, realice siempre una operación de prueba para determinar el tiempo de apriete adecuado para su tornillo.

AVISO: Si utiliza la herramienta de forma continua hasta que el cartucho de batería se descargue, deje descansar la herramienta durante 15 minutos antes de proceder con una batería llena.

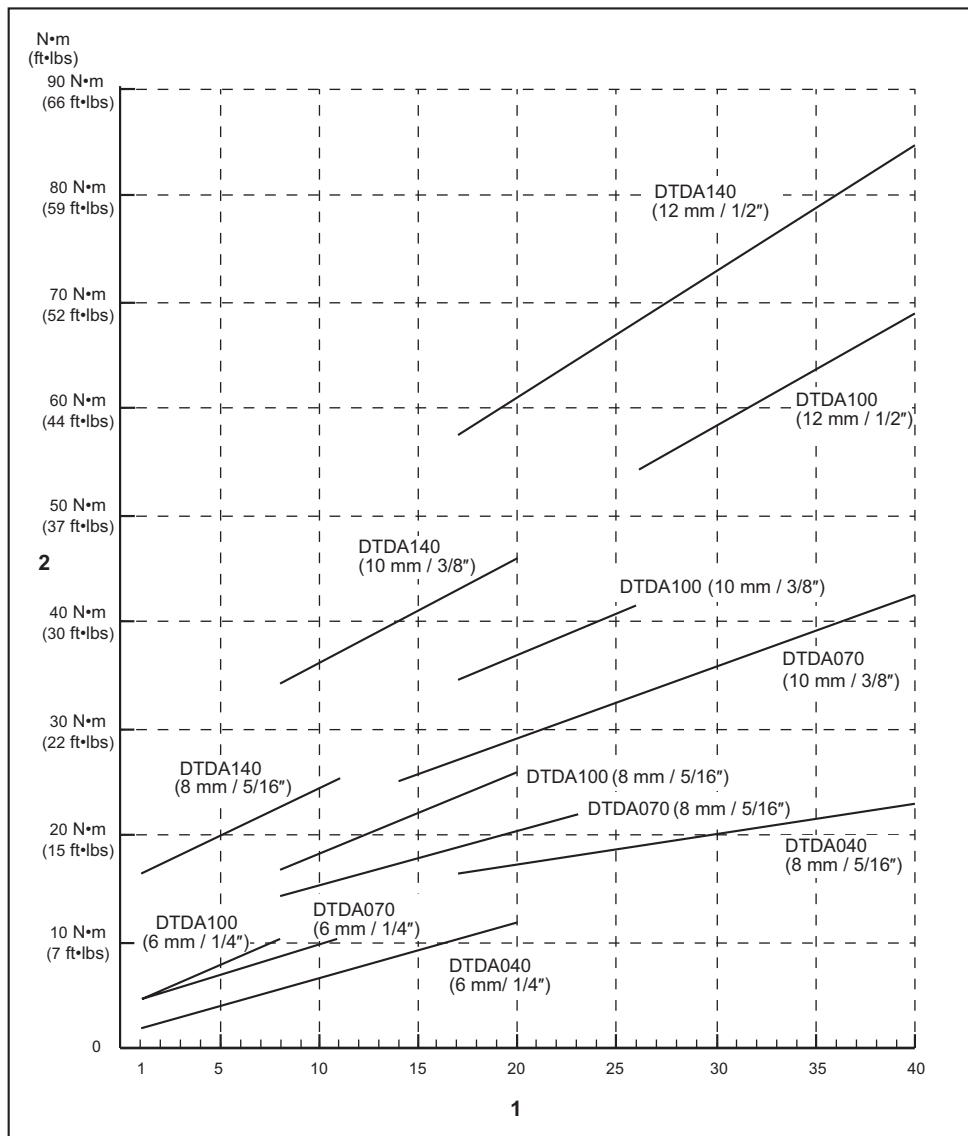
La torsión de apriete es afectada por una amplia variedad de factores incluidos los siguientes. Después del apriete, compruebe siempre la torsión con una llave de torsión.

1. Cuando el cartucho de batería esté casi completamente descargado, habrá una caída en la tensión y la torsión de apriete se reducirá.
2. Punta para atornillar o punta intercambiable
El no utilizar el tamaño correcto de punta para atornillar o punta intercambiable ocasionará que la torsión de apriete se reduzca.
3. Perno
 - Incluso si el coeficiente de torsión y la clase de perno son los mismos, la torsión de apriete adecuada variará en función del diámetro del perno.
 - Incluso si los diámetros de los pernos son los mismos, la torsión de apriete adecuada variará de acuerdo con el coeficiente de torsión, la clase de perno y la longitud del perno.
4. El uso de una junta universal o del adaptador de dado reduce de alguna manera la fuerza de apriete de la herramienta. Compense esto alargando el tiempo de apriete.
5. El tipo de materiales a apretar, la manera de sujeción de la herramienta y la velocidad de esta última afectarán la torsión.
6. La operación de la herramienta a baja velocidad ocasionará una reducción de la torsión de apriete.

Torsión de apriete y nivel de torsión

NOTA: Este valor de referencia se mide por las condiciones de medición especificadas por Makita.

NOTA: El valor real puede diferir de acuerdo con las circunstancias de los sujetadores, materiales y método de sujeción. Realice una prueba de atornillado antes de iniciar el trabajo en cuestión.



1. Nivel de torsión 2. Torsión de apriete

MANTENIMIENTO

⚠PRECAUCIÓN: Asegúrese siempre de que la herramienta esté apagada y el cartucho de batería extraído antes de intentar realizar una inspección o mantenimiento.

AVISO: Nunca use gasolina, bencina, diluyente (tíner), alcohol o sustancias similares. Puede que esto ocasione grietas o descoloramiento.

Para mantener la SEGURIDAD y FIABILIDAD del producto, las reparaciones, y cualquier otra tarea de mantenimiento o ajuste deberán ser realizadas en centros de servicio autorizados o de fábrica Makita, empleando siempre repuestos Makita.

ACCESORIOS OPCIONALES

⚠PRECAUCIÓN: Estos accesorios o aditamentos están recomendados para utilizarse con su herramienta Makita especificada en este manual.

El empleo de cualquier otro accesorio o aditamento puede conllevar el riesgo de lesiones personales. Utilice los accesorios o aditamentos solamente para su fin establecido.

Si necesita cualquier ayuda para más detalles en relación con estos accesorios, pregunte a su centro de servicio local Makita.

- Gancho
- Puntas para tornillos
- Protector (azul, rojo, amarillo, verde, transparente)
- Protector de batería para modelo BL1460A
- Protector de batería para modelo BL1415NA
- Cargador original de Makita
- Cable USB

NOTA: Algunos de los artículos en la lista pueden incluirse en el paquete de la herramienta como accesorios estándar. Éstos pueden variar de país a país.

GARANTÍA LIMITADA DE MAKITA

Ésta Garantía no aplica para México

Consulte la hoja de la garantía anexa para ver los términos más vigentes de la garantía aplicable a este producto. En caso de no disponer de esta hoja de garantía anexa, consulte los detalles sobre la garantía descritos en el sitio web de su país respectivo indicado a continuación.

Estados Unidos de América: www.makitatools.com

Canadá: www.makita.ca

Otros países: www.makita.com

< USA only >

WARNING

Some dust created by power sanding, sawing, grinding, drilling, and other construction activities contains chemicals known to the State of California to cause cancer, birth defects or other reproductive harm. Some examples of these chemicals are:

- lead from lead-based paints,
- crystalline silica from bricks and cement and other masonry products, and
- arsenic and chromium from chemically-treated lumber.

Your risk from these exposures varies, depending on how often you do this type of work. To reduce your exposure to these chemicals: work in a well ventilated area, and work with approved safety equipment, such as those dust masks that are specially designed to filter out microscopic particles.

< Sólo en los Estados Unidos >

ADVERTENCIA

Algunos polvos creados por el lijado, aserrado, esmerilado, taladrado y otras actividades de la construcción contienen sustancias químicas reconocidas por el Estado de California como causantes de cáncer, defectos de nacimiento y otros peligros de reproducción. Algunos ejemplos de estos productos químicos son:

- plomo de pinturas a base de plomo,
- sílice cristalino de ladrillos y cemento y otros productos de albañilería, y
- arsénico y cromo de maderas tratadas químicamente.

El riesgo al que se expone varía, dependiendo de la frecuencia con la que realice este tipo de trabajo. Para reducir la exposición a estos productos químicos: trabaje en un área bien ventilada y póngase el equipo de seguridad indicado, tal como las máscaras contra polvo que están especialmente diseñadas para filtrar partículas microscópicas.

Makita Corporation

3-11-8, Sumiyoshi-cho,
Anjo, Aichi 446-8502 Japan

www.makita.com

885712B939
DTDA040-1
EN, FRCA, ESMX
20210408